



R-SERIES AIR COMPRESSORS & UNITS | 5-7.5 HP



Parts List Manual



MODELS:
R2-30A
R-15

CQF3454
Version 10
June 01, 2021

MAINTAIN COMPRESSOR RELIABILITY AND PERFORMANCE WITH GENUINE CHAMPION® COMPRESSOR PARTS AND SUPPORT SERVICES

Champion® Compressor genuine parts, manufactured to design tolerances, are developed for optimum dependability, specifically for Champion compressor systems. Design and material innovations are the result of years of experience with hundreds of different compressor applications. Reliability in materials and quality assurance are incorporated in our genuine replacement parts.

Your authorized Champion Compressor distributor offers all the backup you'll need. A worldwide network of authorized distributors provides the finest product support in the air compressor industry.

Your authorized distributor can support your Champion air compressor with these services:

1. Trained parts specialists to assist you in selecting the correct replacement parts.
2. A full line of factory tested CHAMPLUB™ compressor lubricants specifically formulated for use in Champion compressors.
3. Repair and maintenance kits designed with the necessary parts to simplify servicing your compressor.

Authorized distributor service technicians are factory trained and skilled in compressor maintenance and repair. They are ready to respond and assist you by providing fast, expert maintenance and repair services.

To Contact Champion or locate your local distributor:

Visit: www.championpneumatic.com

Or

Call: (800) 682-9868

INSTRUCTIONS FOR ORDERING REPAIR PARTS

When ordering parts, specify Compressor MODEL, HORSEPOWER and SERIAL NUMBER (see nameplate on unit). All orders for Parts should be placed with the nearest authorized distributor.

Order by part number and description. Reference numbers are for your convenience only.



REFER TO THE R-SERIES OPERATION & SERVICE MANUAL FOR IMPORTANT SAFETY INFORMATION. READ, UNDERSTAND AND RETAIN ALL INSTRUCTIONS BEFORE OPERATING OR SERVICING THIS EQUIPMENT TO PREVENT INJURY OR EQUIPMENT DAMAGE.

Table of Contents

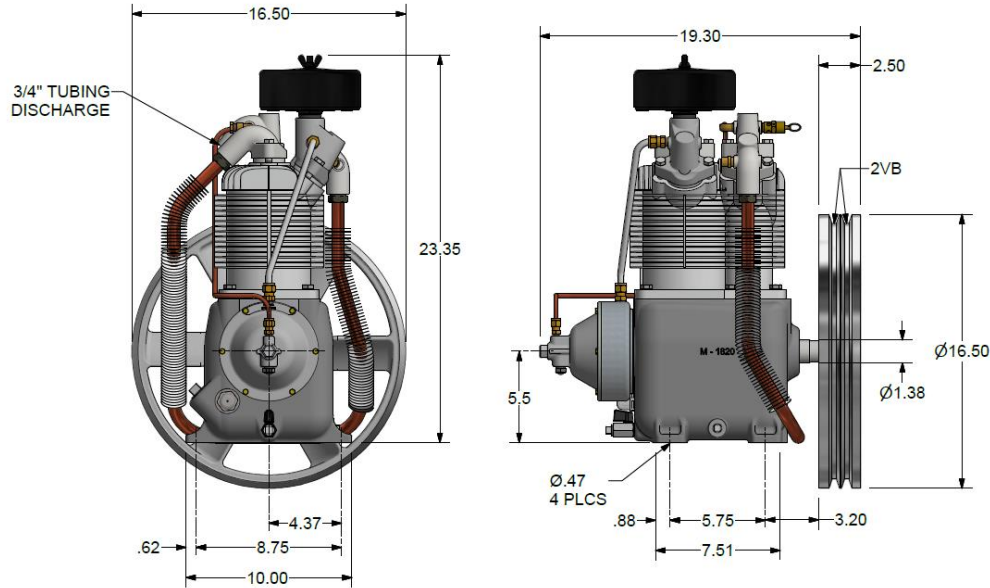
| | |
|---|----|
| Section 1 – General | 4 |
| Dimensions..... | 4 |
| Specifications | 4 |
| Performance | 4 |
| Section 2 – Compressor | 5 |
| Crankcase Group..... | 5 |
| Crankshaft Group..... | 6 |
| Centrifugal Unloader Group..... | 7 |
| Piston/Rod Group, Low Pressure | 9 |
| Piston/Rod Group, High Pressure | 11 |
| Cylinder Group, Standard | 13 |
| Cylinder Group, with Head Unloaders (Optional)..... | 15 |
| Cylinder Group, Engine Driven..... | 17 |
| Tubing and Control Group, Standard..... | 19 |
| Tubing and Control Group, with Head Unloaders (Optional)..... | 21 |
| Tubing and Control Group, Engine Driven | 23 |
| High Temperature Switch (Optional)..... | 25 |
| Filter Maintenance Indicator (Optional)..... | 25 |
| Low Oil Shutdown Control (Optional)..... | 26 |
| Section 3 – Electric Packages | 27 |
| Vertical Package..... | 27 |
| Horizontal Package, Simplex..... | 29 |
| Horizontal Package, Duplex | 31 |
| Electric Motor List..... | 33 |
| Tank Drain, Manual..... | 34 |
| Tank Drain, Electric (Optional)..... | 35 |
| Control Group, Simplex Start/Stop | 36 |
| Control Group, Simplex Dual Control (Optional) | 37 |
| Control Group, Duplex Start/Stop..... | 38 |
| Control Group, Duplex Dual Control (Optional)..... | 39 |
| Power Transmission..... | 40 |
| Belt Guard, Standard..... | 41 |
| Belt Guard, with Aftercooler (Optional) | 42 |

Table of Contents

| | |
|--|----|
| Belt Guard, Standard..... | 43 |
| Belt Guard, with Aftercooler (Optional) | 44 |
| Discharge Piping, Vertical, Standard | 45 |
| Discharge Piping, Vertical, with Aftercooler (Optional)..... | 47 |
| Discharge Piping, Simplex Horizontal, Standard | 49 |
| Discharge Piping, Simplex Horizontal, with Aftercooler (Optional)..... | 51 |
| Discharge Piping, Duplex, Standard | 53 |
| Discharge Piping, Duplex, with Aftercooler (Optional)..... | 55 |
| Section 4 – Engine Packages | 57 |
| Horizontal Package, Honda Gas Engine | 57 |
| Horizontal Package, Kohler Gas Engine | 59 |
| Horizontal Package, Kohler Diesel Engine..... | 61 |
| Horizontal Package, Yanmar Diesel Engine..... | 63 |
| Low Profile Package, Honda Gas Engine | 65 |
| Low Profile Package, Kohler Gas Engine | 67 |
| Ball Valve Group, Low Profile Gas..... | 69 |
| Control Group, Low Profile Gas | 70 |
| Control Group, Horizontal Gas..... | 71 |
| Control Group, Horizontal Diesel..... | 72 |
| Gauge / Relief Valve, Horizontal | 73 |
| Tank Drain, Manual..... | 74 |
| Power Transmission | 75 |
| Belt Guard, Gas Engine | 76 |
| Belt Guard, Diesel Engine..... | 77 |
| Discharge Piping, Gas Engine | 78 |
| Discharge Piping, Diesel Engine | 79 |
| Remote Mount Choke and Key Switch, Kohler 14 HP (Optional) | 80 |

Section 1 – General

Dimensions



- H.P. Exhaust Opening: 3/4" tubing
- Flywheel Rotation, Clockwise when viewed from front, flywheel to rear.

400CAP800-01
Ref Drawing

Specifications

| BORE & STROKE (INCHES) | NO. OF CYLINDERS | OIL CAPACITY (QTS.) | WEIGHT (LBS) | PRESSURE (PSIG) | CU FT./REV. | MIN./MAX. RPM |
|------------------------|------------------|---------------------|--------------|-----------------|-------------|---------------|
| 4-5/8 & 2-1/2 x 3 | 2 | 2 | 109 | 175 | .02914 | 400/1050 |

Performance

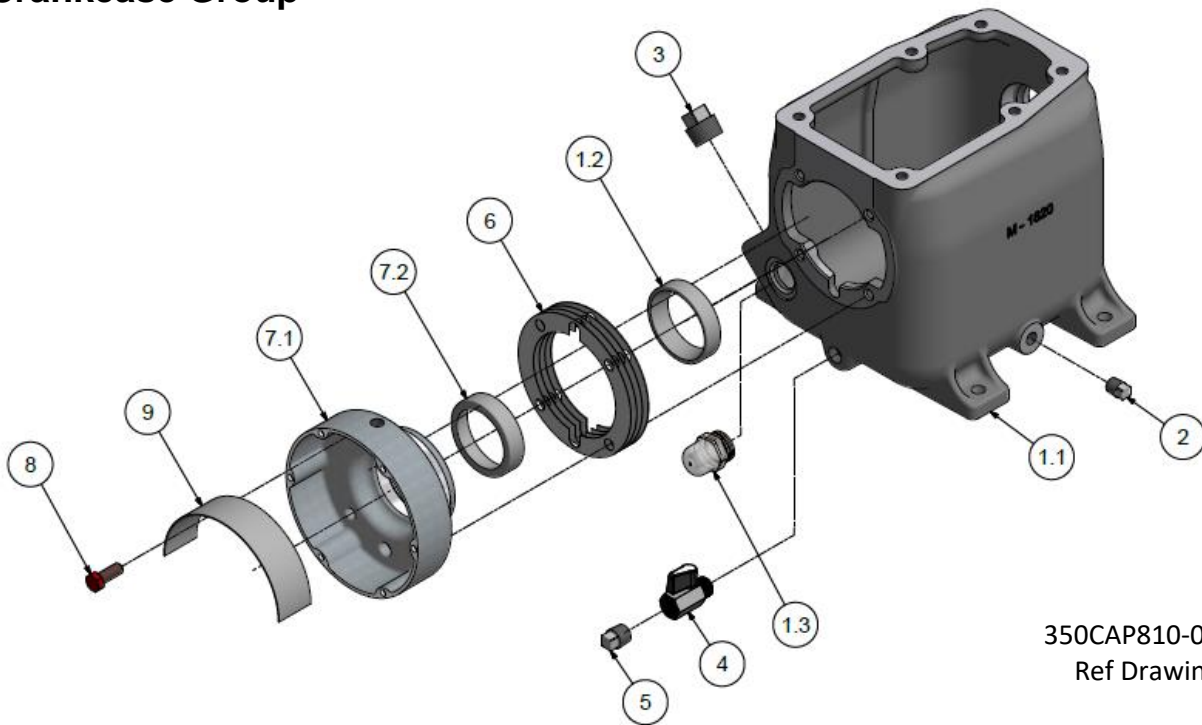
| OUTPUT PRESS. PSIG | MOTOR H.P. | PUMP RPM | DISPL. CFM | COOLING AIR FLOW CFM | HEAT REJECTION BTU/HR | APPROX. PULLEY O.D. INCHES |
|--------------------|------------|----------|------------|----------------------|-----------------------|----------------------------|
| 125 | 5 | 748 | 21.8 | 866 | 12,000 | 7.35 |
| 175 | 5 | 705 | 20.5 | 814 | 12,000 | 6.95 |
| 125 & 175 | 7.5 | 961 | 28.0 | 1160 | 16,800 | 9.35 |

All data is based on 1800 RPM electric motors as a power source.

Pulley Dia. (approx.) = $\frac{\text{Compressor RPM} \times \text{Flywheel Dia.}}{\text{Motor or Engine RPM}}$

Section 2 – Compressor

Crankcase Group



350CAP810-03
Ref Drawing

CRANKCASE GROUP

301CAP013

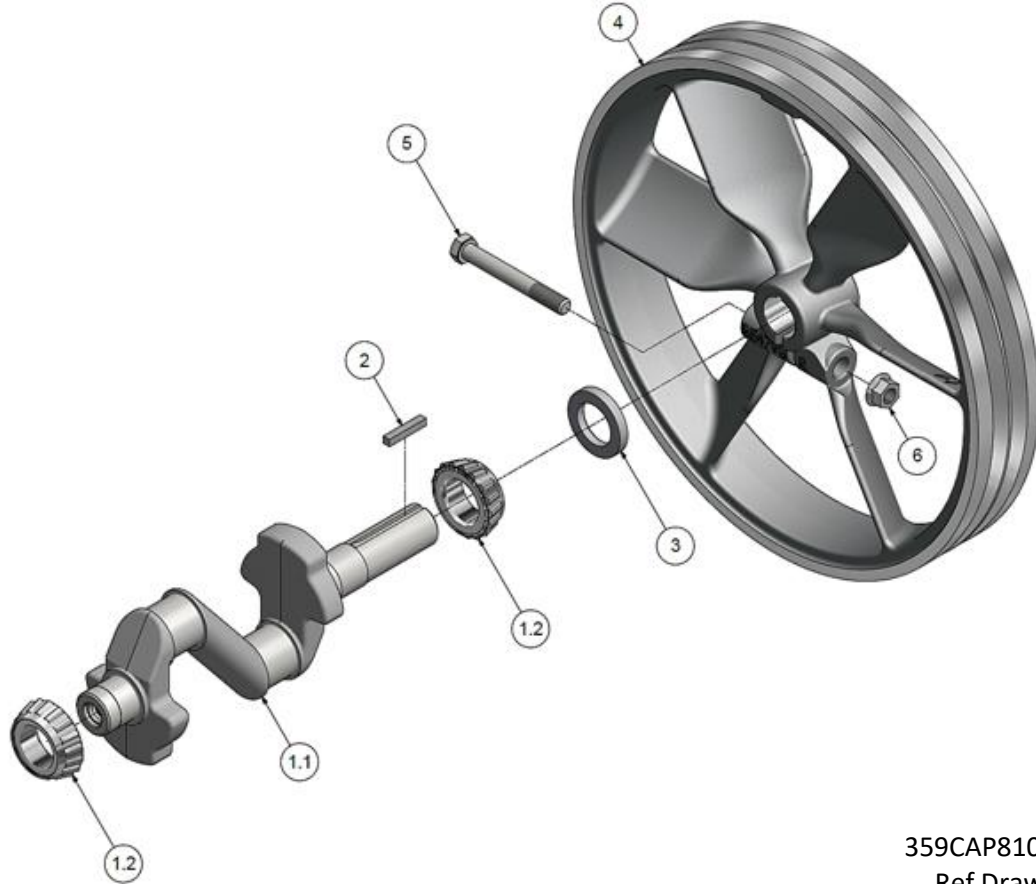
| Item | Part Number | Description | Qty |
|------|-------------|-----------------------------|-----|
| 1.1 | TEN017153 | CRANKCASE | 1 |
| 1.2 | NR16* | MAIN BEARING, CUP | 1 |
| 1.3 | TEN014403 | SIGHT GLASS ASSEMBLY | 1 |
| 2 | 64AA5 | PLUG | 1 |
| 3 | 64A5 | PLUG | 1 |
| 4 | TEN022308 | BALL VALVE, 3/8"-18 NPT | 1 |
| 5 | 64AA4 | PLUG | 1 |
| 6 | SE1430* | GASKET, 0.032 | 1 |
| 6 | SE1430A* | GASKET, 0.006 | 1 |
| 6 | SE1430B* | GASKET, 0.010 | 1 |
| 6 | SE1430C* | GASKET, 0.015 | 1 |
| 7.1 | NR80A | GOVERNOR HOUSING | 1 |
| 7.2 | NR16* | MAIN BEARING, CUP | 1 |
| 8 | M2343 | SCREW (torque @ 400 in-lbs) | 4 |
| 9 | NR104 | PLATE, GOVERNOR BAFFLE | 1 |

*not sold separately, see repair parts

REPAIR PARTS

| Item | Part Number | Description | Qty |
|---------|-------------|--|-----|
| 1.2,7.2 | ZNR16A | MAIN BEARING | 2 |
| 6 | Z130 | GOVERNOR HOUSING GASKET SET | 1 |
| - | Z764 | COMPRESSOR GASKET SET (excludes valve gaskets) | 1 |

Crankshaft Group



359CAP810-01
Ref Drawing

CRANKSHAFT GROUP

301CAP004

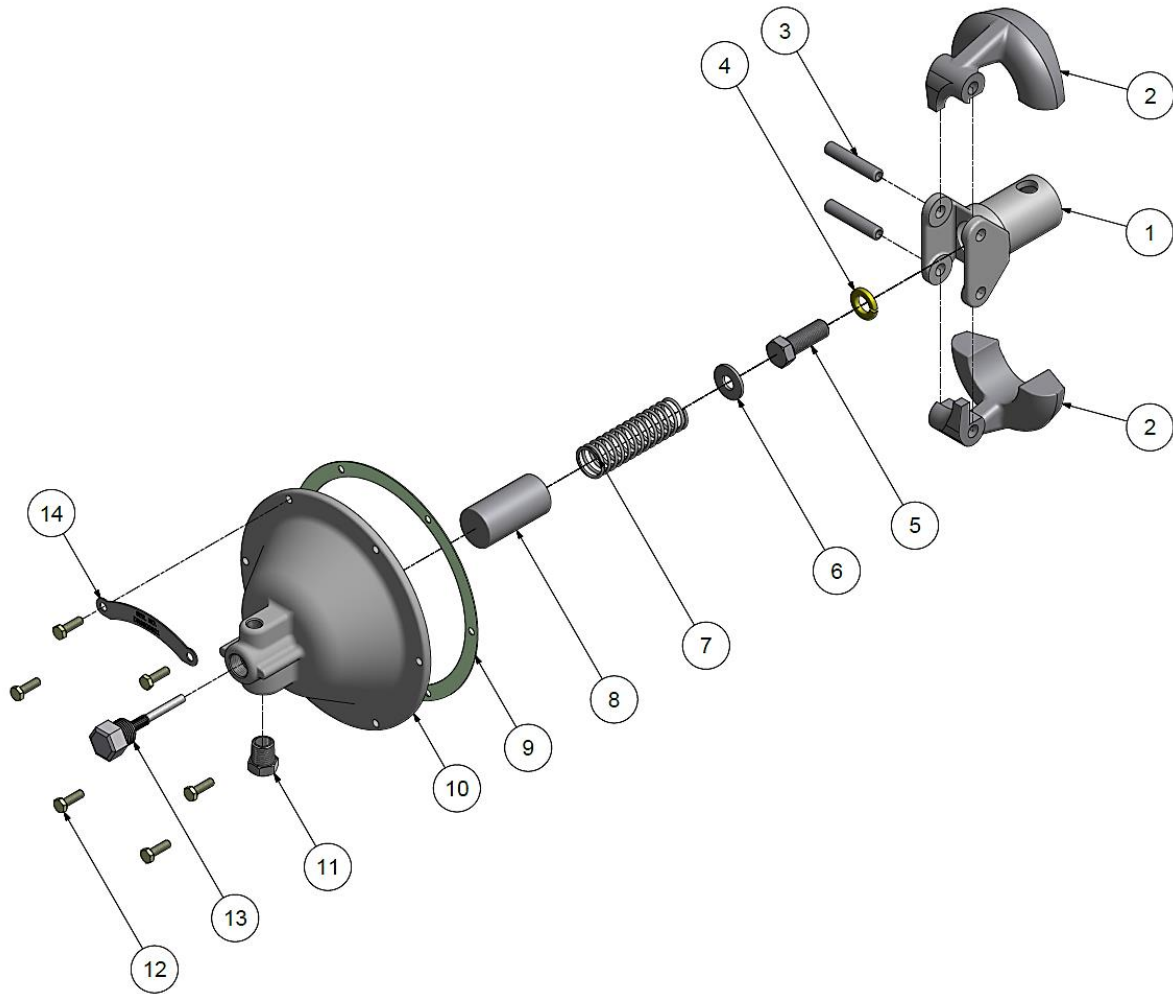
| Item | Part Number | Description | Qty |
|------|-------------|-----------------------------|-----|
| 1.1 | R155 | CRANKSHAFT | 1 |
| 1.2 | NR16A* | MAIN BEARING, CONE & ROLLER | 2 |
| 2 | U8 | KEY | 1 |
| 3 | OSN4 | OIL SEAL | 1 |
| 4 | NR7A | FLYWHEEL | 1 |
| 5 | 655EE160 | SCREW | 1 |
| 6 | M2955 | NUT (torque @ 600 in-lbs) | 1 |

*not sold separately, see repair parts

REPAIR PARTS

| Item | Part Number | Description | Qty |
|------|-------------|--------------|-----|
| 1.2 | ZNR16A | MAIN BEARING | 1 |

Centrifugal Unloader Group



352CAP810-01
Ref Drawing

Centrifugal Unloader Group

CENTRIFUGAL UNLOADER GROUP

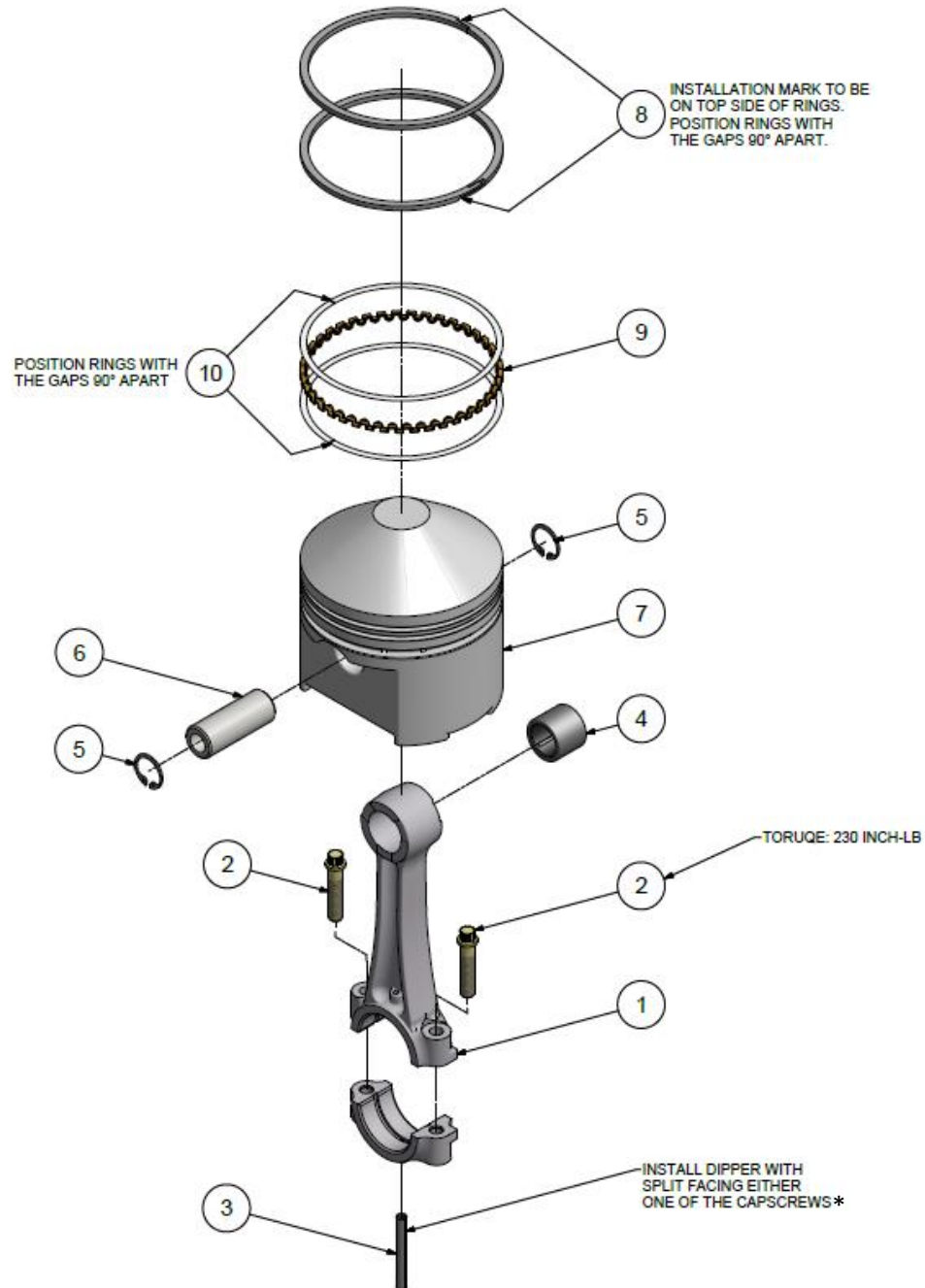
300CAP890

| Item | Part Number | Description | Qty |
|------|-------------|------------------------------|-----|
| 1 | SE583B | SPINDLE, GOVERNOR | 1 |
| 2 | SE582B | WEIGHT, GOVERNOR | 2 |
| 3 | SE592A | PIN, GOVERNOR WEIGHT | 2 |
| 4 | 95B4Z | WASHER, LOCK | 1 |
| 5 | M2345 | SCREW (torque @ 470 in-lbs) | 1 |
| 6 | M912A | SPACER, CENTRIFUGAL UNLOADER | 1 |
| 7 | SE590 | SPRING, GOVERNOR | 1 |
| 8 | SE587 | SLEEVE, SPRING | 1 |
| 9 | SE1489 | GASKET, GOVERNOR COVER | 1 |
| 10 | TEN010354 | GOVERNOR HOUSING COVER | 1 |
| 11 | TEN013303 | BREATHER | 1 |
| 12 | M3473 | SCREW (torque @ 44 in-lbs) | 6 |
| 13 | Z12414A | RELEASE VALVE KIT | 1 |
| 14 | M3658 | SERIAL NUMBER PLATE | 1 |

REPAIR PARTS

| Item | Part Number | Description | Qty |
|------|-------------|--|-----|
| - | Z764 | COMPRESSOR GASKET SET (excludes valve gaskets) | 1 |
| - | ZRE10100A | GOVERNOR COVER ASSEMBLY KIT | 1 |

Piston/Rod Group, Low Pressure



361CAP810-00
Ref Drawing

* ORIENT ROD ON CRANKSHAFT SO THAT THE SPLIT EDGE IS FACING THE DIRECTION OF TRAVEL THROUGH LUBRICANT

Piston/Rod Group, Low Pressure

LOW PRESSURE ROD/PISTON GROUP

303CAP4056

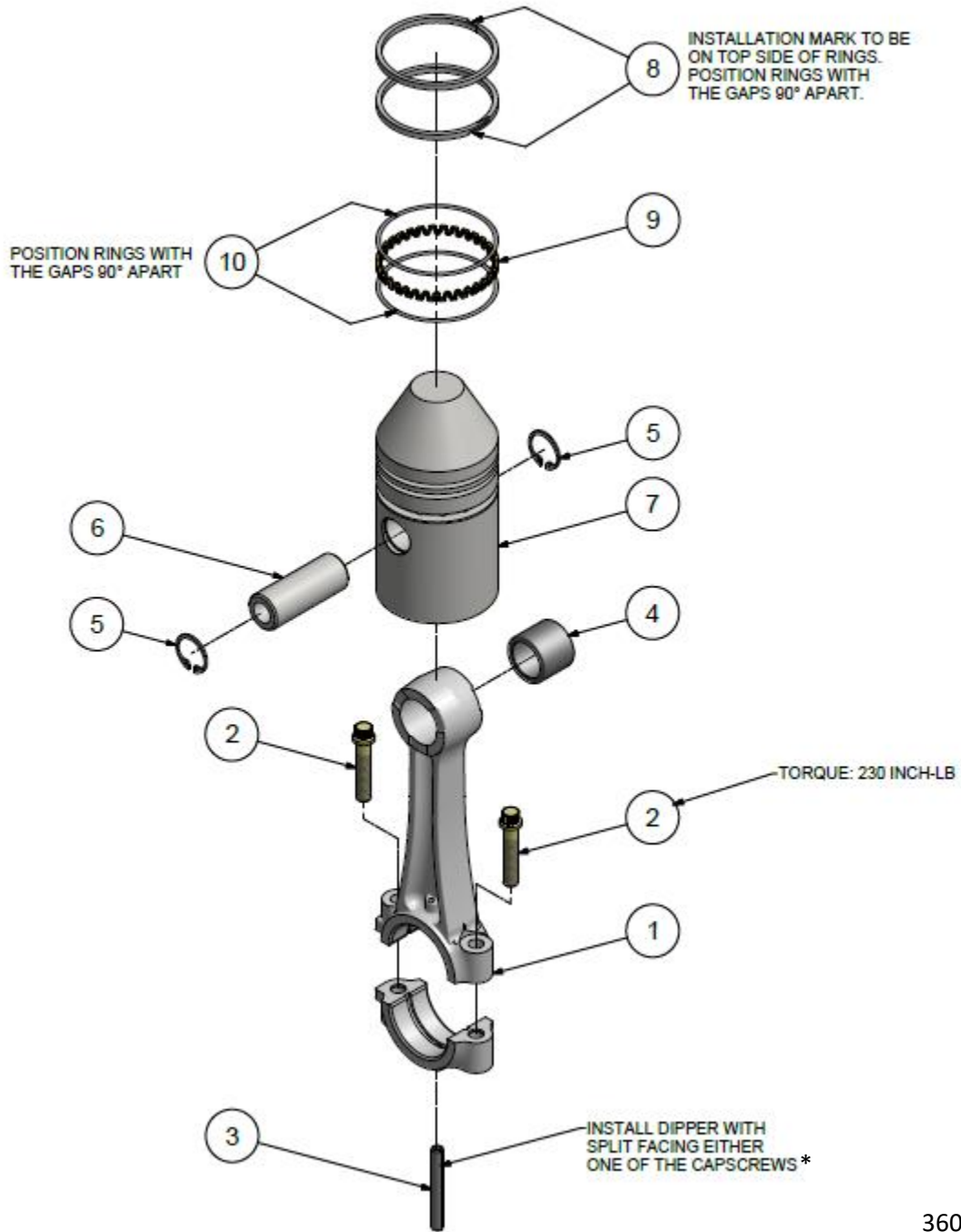
| Item | Part Number | Description | Qty |
|------|-------------|-----------------------------|-----|
| 1 | M1582* | CONNECTING ROD | 1 |
| 2 | M1583 | SCREW (torque @ 230 in-lbs) | 2 |
| 3 | R1524 | OIL DIPPER | 1 |
| 4 | R1037 | BEARING, WRIST PIN | 1 |
| 5 | R10102 | RING, RETAINING | 2 |
| 6 | R1021 | WRIST PIN, PISTON | 1 |
| 7 | R154 | PISTON | 1 |
| 8 | P02788A* | RING, PISTON | 2 |
| 9 | RE1410D1* | RING, EXPANDER | 1 |
| 10 | RE1410D2* | RING, RAIL | 2 |

*not sold separately, see repair parts

REPAIR PARTS

| Item | Part Number | Description | Qty |
|------|-------------|--|-----|
| 1-4 | Z750 | CONNECTING ROD ASSEMBLY KIT | 1 |
| 5-7 | ZR154 | PISTON KIT, LOW PRESSURE WITH PIN | 1 |
| 8-10 | Z798 | RING SET, LOW PRESSURE | 1 |
| 5-10 | Z9101 | PISTON & RING KIT, LOW PRESSURE | 1 |
| - | Z799 | COMPLETE RING SET, HIGH & LOW PRESSURE | 1 |

Piston/Rod Group, High Pressure



360CAP810-00
Ref Drawing

* ORIENT ROD ON CRANKSHAFT SO THAT THE SPLIT EDGE IS FACING THE DIRECTION OF TRAVEL THROUGH LUBRICANT

Piston/Rod Group, High Pressure

HIGH PRESSURE ROD/PISTON GROUP

302CAP4056

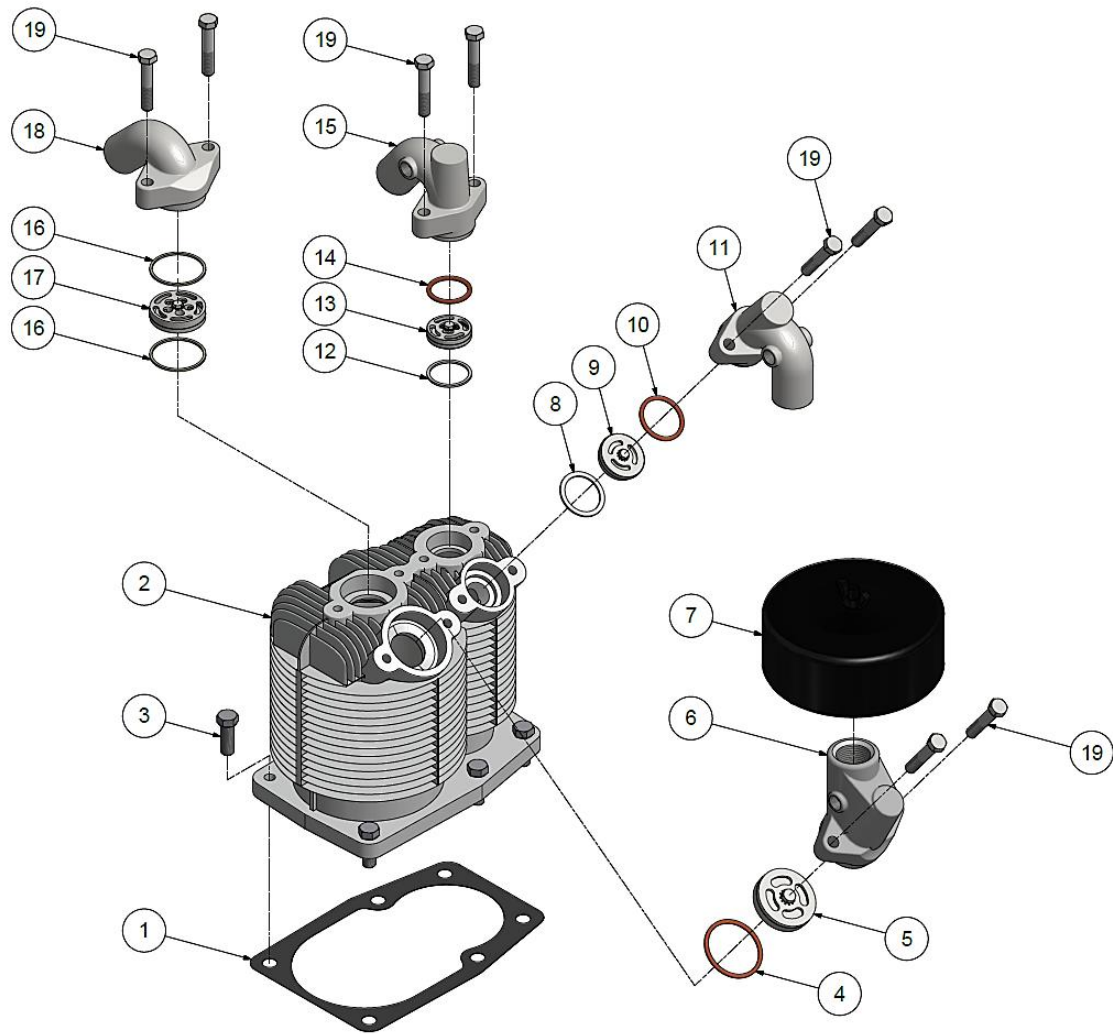
| Item | Part Number | Description | Qty |
|------|-------------|-----------------------------|-----|
| 1 | M1582* | CONNECTING ROD | 1 |
| 2 | M1583 | SCREW (torque @ 230 in-lbs) | 2 |
| 3 | R1524 | OIL DIPPER | 1 |
| 4 | R1037 | BEARING, WRIST PIN | 1 |
| 5 | R10102 | RING, RETAINING | 2 |
| 6 | R1021 | WRIST PIN, PISTON | 1 |
| 7 | P02709C | PISTON | 1 |
| 8 | P02785A* | RING, PISTON | 2 |
| 9 | RE3610D1* | RING, EXPANDER | 1 |
| 10 | RE3610D2* | RING, RAIL | 2 |

*not sold separately, see repair parts

REPAIR PARTS

| Item | Part Number | Description | Qty |
|------|-------------|--|-----|
| 1-4 | Z750 | CONNECTING ROD ASSEMBLY KIT | 1 |
| 5-7 | ZP2709C | PISTON KIT, HIGH PRESSURE WITH PIN | 1 |
| 8-10 | Z797 | RING SET, HIGH PRESSURE | 1 |
| 5-10 | Z9100 | PISTON & RING KIT, HIGH PRESSURE | 1 |
| - | Z799 | COMPLETE RING SET, HIGH & LOW PRESSURE | 1 |

Cylinder Group, Standard



353CAP810-00
Ref Drawing

Cylinder Group, Standard

CYLINDER GROUP

300CAP4042

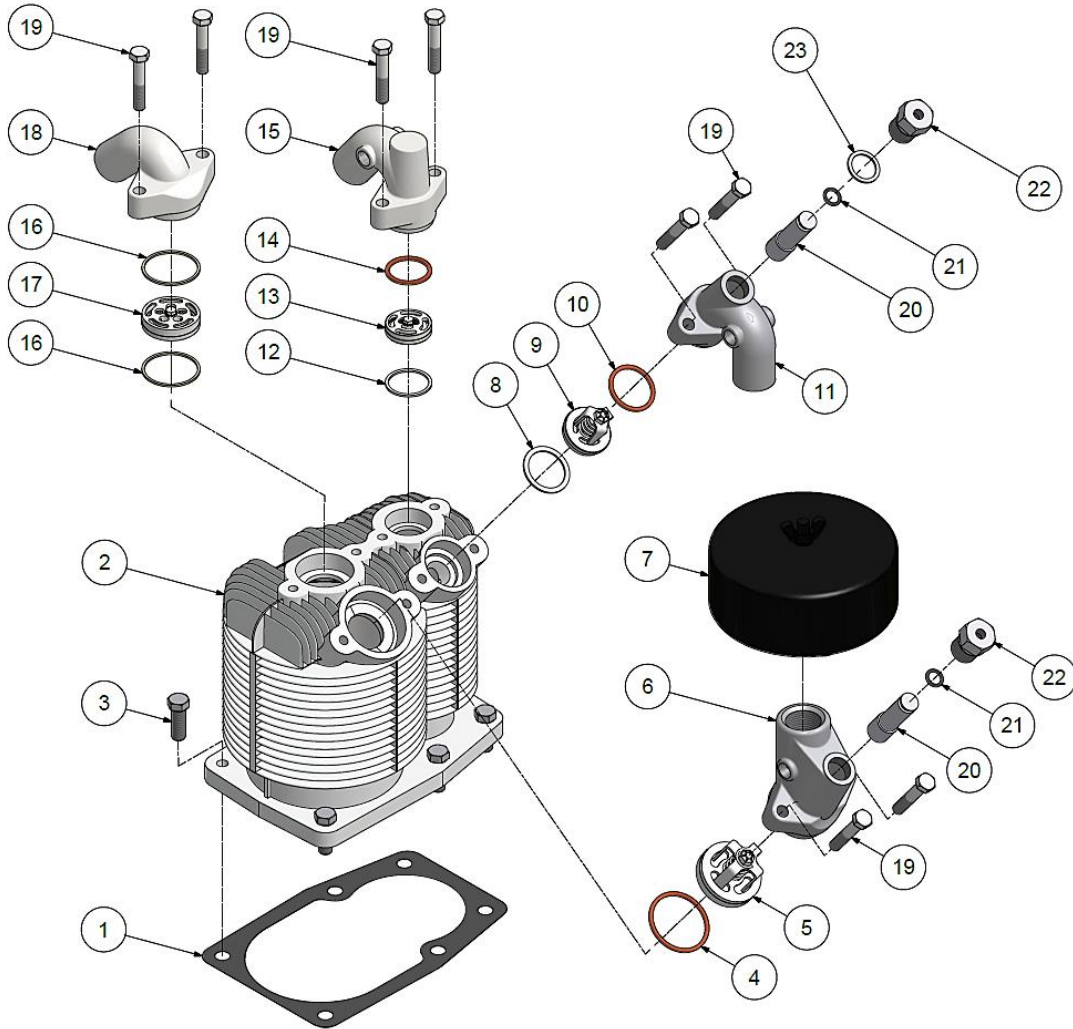
| Item | Part Number | Description | Qty |
|------|-------------|-----------------------------|-----|
| 1 | NR29A | GASKET, CYLINDER FLANGE | 1 |
| 2 | P12237D | CYLINDER | 1 |
| 3 | M2345 | SCREW (torque @ 400 in-lbs) | 6 |
| 4 | CQP14832A | GASKET, VALVE, LP, COPPER | 1 |
| 5 | Z812A* | VALVE, LP, INTAKE | 1 |
| 6 | P09669C | MANIFOLD, LP INTAKE | 1 |
| 7 | P04999A | FILTER SILENCER | 1 |
| 7.1 | P05050A | ELEMENT, FILTER | 1 |
| 8 | P09171A | GASKET, VALVE, HP, ALUMINUM | 1 |
| 9 | Z11775* | VALVE, HP, INTAKE | 1 |
| 10 | CQP14870A | GASKET, VALVE, HP, COPPER | 1 |
| 11 | P12302B | MANIFOLD, HP INTAKE | 1 |
| 12 | P04137A | GASKET, VALVE, HP, ALUMINUM | 1 |
| 13 | Z115A* | VALVE, HP, EXHAUST | 1 |
| 14 | CQP14869A | GASKET, VALVE, HP, COPPER | 1 |
| 15 | P12303B | MANIFOLD, HP EXHAUST | 1 |
| 16 | P04135A | GASKET, VALVE, LP, ALUMINUM | 2 |
| 17 | Z813A* | VALVE, LP, EXHAUST | 1 |
| 18 | RE102E | MANIFOLD, LP EXHAUST | 1 |
| 19 | 655ED080 | SCREW (torque @ 200 in-lbs) | 8 |

*not sold separately, see repair parts

REPAIR PARTS

| Item | Part Number | Description | Qty |
|---------------------------------------|-------------|--|-----|
| 4, 5, 8, 9, 10, 12, 13, 14, 16, 17 | Z5155 | COMPLETE VALVE SET, WITH GASKET SET | 1 |
| 4, 8, 10, 12, 14, 16 | Z5156 | COMPLETE VALVE GASKET SET | 1 |
| - | Z764 | COMPRESSOR GASKET SET (excludes valve gaskets) | 1 |
| 4, 5 | Z812 | KIT, LP INTAKE VALVE WITH GASKET | 1 |
| 8, 9, 10 | Z11937 | KIT, HP INTAKE VALVE WITH GASKETS | 1 |
| 12, 13, 14 | Z115 | KIT, HP EXHAUST VALVE WITH GASKETS | 1 |
| 16, 17 | Z813 | KIT, LP EXHAUST VALVE WITH GASKETS | 1 |

Cylinder Group, with Head Unloaders (Optional)



357CAP810-00
Ref Drawing

Cylinder Group, with Head Unloaders (Optional)

CYLINDER GROUP, HEAD UNLOADERS

302CAP4042

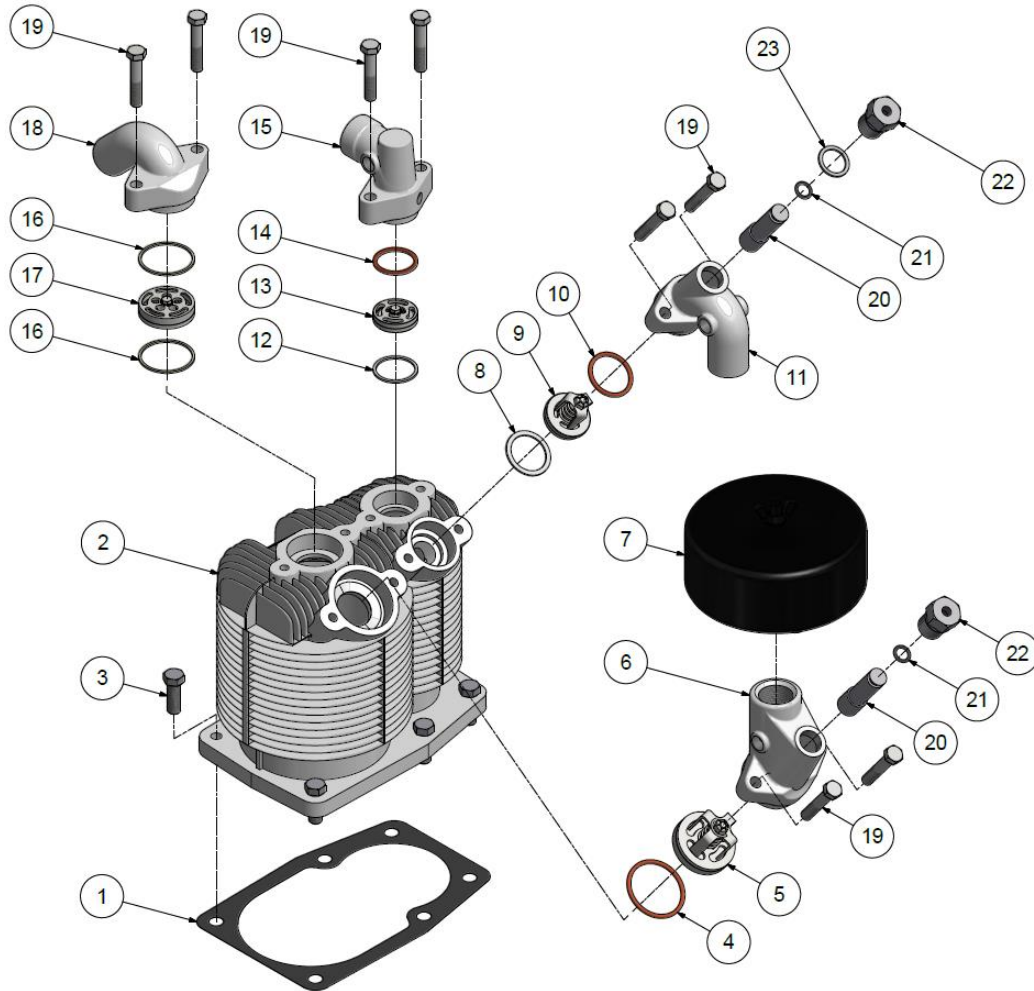
| Item | Part Number | Description | Qty |
|------|-------------|------------------------------|-----|
| 1 | NR29A | GASKET, CYLINDER FLANGE | 1 |
| 2 | P12237D | CYLINDER | 1 |
| 3 | M2345 | SCREW (torque @ 400 in-lbs) | 6 |
| 4 | CQP14832A | GASKET, VALVE, LP, COPPER | 1 |
| 5 | Z4877A* | VALVE, LP, INTAKE, UNLOADER | 1 |
| 6 | P09670C | MANIFOLD, LP INTAKE | 1 |
| 7 | P04999A | FILTER SILENCER | 1 |
| 7.1 | P05050A | ELEMENT, FILTER | 1 |
| 8 | P09171A | GASKET, VALVE, HP, ALUMINUM | 1 |
| 9 | Z11936* | VALVE, HP, INTAKE, UNLOADER | 1 |
| 10 | CQP14870A | GASKET, VALVE, HP, COPPER | 1 |
| 11 | P12304B | MANIFOLD, HP INTAKE, HU | 1 |
| 12 | P04137A | GASKET, VALVE, HP, ALUMINUM | 1 |
| 13 | Z115A* | VALVE, HP, EXHAUST | 1 |
| 14 | CQP14869A | GASKET, VALVE, HP, COPPER | 1 |
| 15 | P12303B | MANIFOLD, HP EXHAUST | 1 |
| 16 | P04135A | GASKET, VALVE, LP, ALUMINUM | 2 |
| 17 | Z813A* | VALVE, LP, EXHAUST, SUB-ASSY | 1 |
| 18 | RE102E | MANIFOLD, EXHAUST LP | 1 |
| 19 | 655ED080 | SCREW (torque @ 200 in-lbs) | 8 |
| 20 | P09923A | UNLOADER PISTON | 2 |
| 21 | P02547A | O-RING | 2 |
| 22 | P02306B | VALVE, CYLINDER, FOR HU | 2 |
| 23 | P00746A | GASKET | 1 |

*not sold separately, see repair parts

REPAIR PARTS

| Item | Part Number | Description | Qty |
|---------------------------------------|-------------|--|-----|
| 4, 5, 8, 9, 10, 12, 13, 14, 16, 17 | Z6795 | COMPLETE VALVE SET, WITH GASKET SET | 1 |
| 4, 8, 10, 12, 14, 16 | Z5156 | COMPLETE VALVE GASKET SET | 1 |
| - | Z764 | COMPRESSOR GASKET SET (excludes valve gaskets) | 1 |
| - | Z9144 | KIT, HEAD UNLOADER CONVERSION (includes manifolds, unloader valves assemblies, pilot valve, fittings and tubing) | 1 |
| 4, 5 | Z4877 | KIT, LP INTAKE VALVE WITH GASKET | 1 |
| 8, 9, 10 | Z11938 | KIT, HP INTAKE VALVE WITH GASKETS | 1 |
| 12, 13, 14 | Z115 | KIT, HP EXHAUST VALVE WITH GASKETS | 1 |
| 16, 17 | Z813 | KIT, LP EXHAUST VALVE WITH GASKETS | 1 |
| 11, 20-23 | Z9143 | KIT, HP INTAKE MANIFOLD GROUP | 1 |
| 6, 20-22 | Z6312 | KIT, LP INTAKE MANIFOLD GROUP | 1 |

Cylinder Group, Engine Driven



387CAP810-00
Ref Drawing

Cylinder Group, Engine Driven

CYLINDER GROUP, ENGINE DRIVEN

304CAP4042

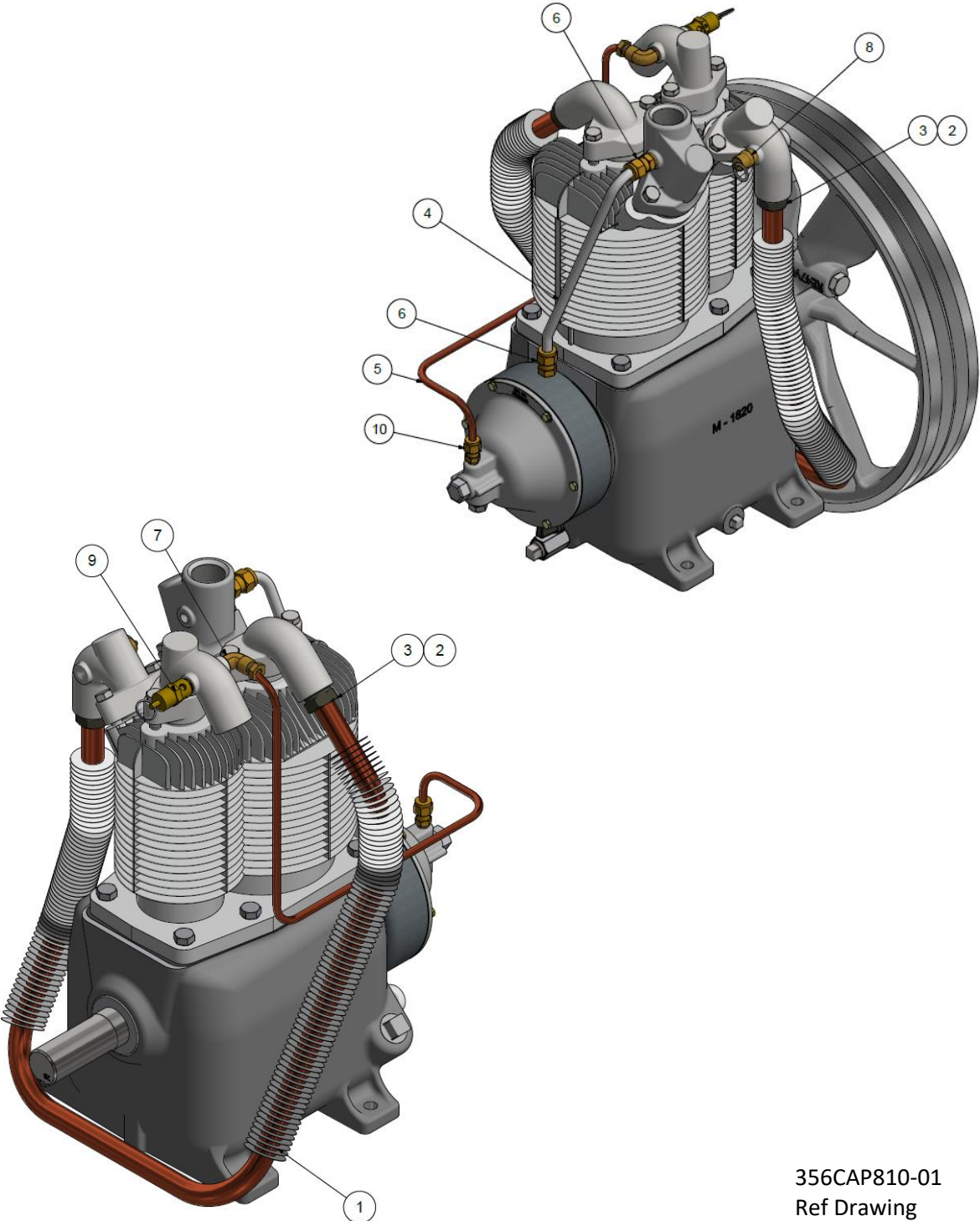
| Item | Part Number | Description | Qty |
|------|-------------|------------------------------|-----|
| 1 | NR29A | GASKET, CYLINDER FLANGE | 1 |
| 2 | P12237D | CYLINDER | 1 |
| 3 | M2345 | SCREW (torque @ 400 in-lbs) | 6 |
| 4 | CQP14832A | GASKET, VALVE, LP, COPPER | 1 |
| 5 | Z4877A | VALVE, LP, INTAKE, UNLOADER | 1 |
| 6 | P09670C | MANIFOLD, LP INTAKE | 1 |
| 7 | P04999A | FILTER SILENCER | 1 |
| 7.1 | P05050A | ELEMENT,FILTER | 1 |
| 8 | P09171A | GASKET, VALVE, HP, ALUMINUM | 1 |
| 9 | Z11936 | VALVE, HP, INTAKE, UNLOADER | 1 |
| 10 | CQP14870A | GASKET, VALVE, HP, COPPER | 1 |
| 11 | P12304B | MANIFOLD, HP INTAKE, HU | 1 |
| 12 | P04137A | GASKET, VALVE, HP, ALUMINUM | 1 |
| 13 | Z115A | VALVE, HP, EXHAUST | 1 |
| 14 | CQP14869A | GASKET, VALVE, HP, COPPER | 1 |
| 15 | M1717 | MANIFOLD, HP EXHAUST, NPT | 1 |
| 16 | P04135A | GASKET, VALVE, LP, ALUMINUM | 2 |
| 17 | Z813A | VALVE, LP, EXHAUST, SUB-ASSY | 1 |
| 18 | RE102E | MANIFOLD, EXHAUST LP | 1 |
| 19 | 655ED080 | SCREW (torque @ 200 in-lbs) | 8 |
| 20 | P09923A | UNLOADER PISTON | 2 |
| 21 | P02547A | O-RING | 2 |
| 22 | P02306B | VALVE, CYLINDER, FOR HU | 2 |
| 23 | P00746A | GASKET | 1 |

*not sold separately, see repair parts

REPAIR PARTS

| Item | Part Number | Description | Qty |
|------------------------------------|-------------|--|-----|
| 4, 5, 8, 9, 10, 12, 13, 14, 16, 17 | Z6795 | COMPLETE VALVE SET, WITH GASKET SET | 1 |
| 4, 8, 10, 12, 14, 16 | Z5156 | COMPLETE VALVE GASKET SET | 1 |
| - | Z764 | COMPRESSOR GASKET SET (excludes valve gaskets) | 1 |
| 4, 5 | Z4877 | KIT, LP INTAKE VALVE WITH GASKET | 1 |
| 8, 9, 10 | Z11938 | KIT, HP INTAKE VALVE WITH GASKETS | 1 |
| 12, 13, 14 | Z115 | KIT, HP EXHAUST VALVE WITH GASKETS | 1 |
| 16, 17 | Z813 | KIT, LP EXHAUST VALVE WITH GASKETS | 1 |
| 11, 20-23 | Z9143 | KIT, HP INTAKE MANIFOLD GROUP | 1 |
| 6, 20-22 | Z6312 | KIT, LP INTAKE MANIFOLD GROUP | 1 |

Tubing and Control Group, Standard



356CAP810-01
 Ref Drawing

Tubing and Control Group, Standard

TUBING & CONTROL GROUP

300CAP272

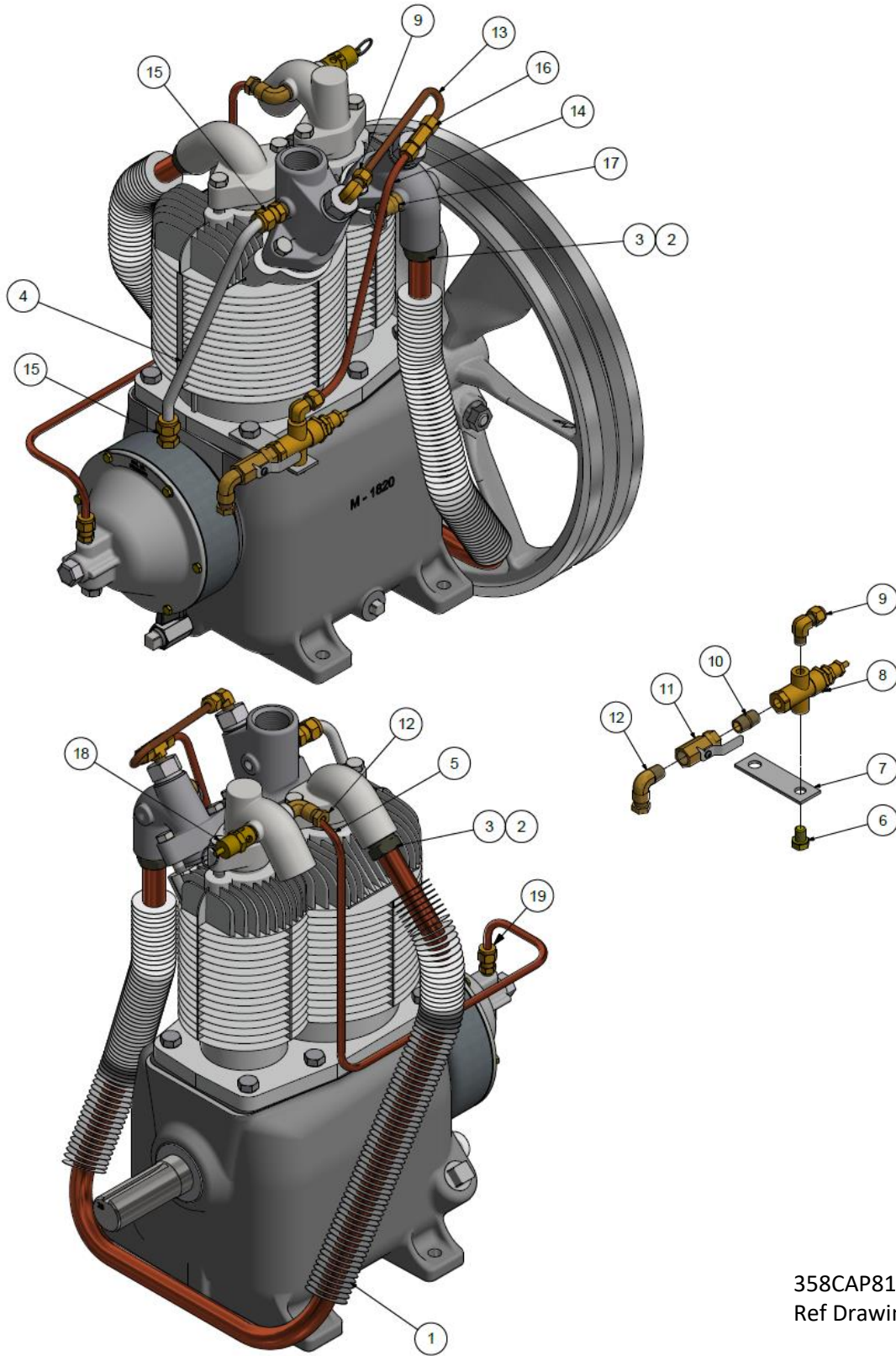
| Item | Part Number | Description | Qty |
|------|-------------|---|-----|
| 1 | 315CAP272* | INTERCOOLER | 1 |
| 2 | SE542 | COMPRESSION FERRULE | 2 |
| 3 | SE541 | COMPRESSION NUT | 2 |
| 4 | UB375* | BREATHER TUBE | 1 |
| 5 | 306CAP294 | UNLOADER TUBE | 1 |
| 6 | M2864 | COMPRESSION FITTING, STRAIGHT | 2 |
| 7 | 86A40 | COMPRESSION FITTING, ELBOW | 1 |
| 8 | M3685 | PRESSURE RELIEF VALVE, 75 PSIG (INTERSTAGE) | 1 |
| 9 | P09704A | PRESSURE RELIEF VALVE, 270 PSIG (DISCHARGE) | 1 |
| 10 | M2863 | COMPRESSION FITTING, STRAIGHT | 1 |

*not sold separately, see repair parts

REPAIR PARTS

| Item | Part Number | Description | Qty |
|---------|-------------|----------------------------------|-----|
| 1, 2, 3 | Z9140 | KIT, INTERCOOLER WITH FITTINGS | 1 |
| 4, 6 | ZUB375 | KIT, BREATHER TUBE WITH FITTINGS | 1 |

Tubing and Control Group, with Head Unloaders (Optional)



358CAP810-01
Ref Drawing

Tubing and Control Group, with Head Unloaders (Optional)

TUBING & CONTROL GROUP, HEAD UNLOADERS

302CAP272

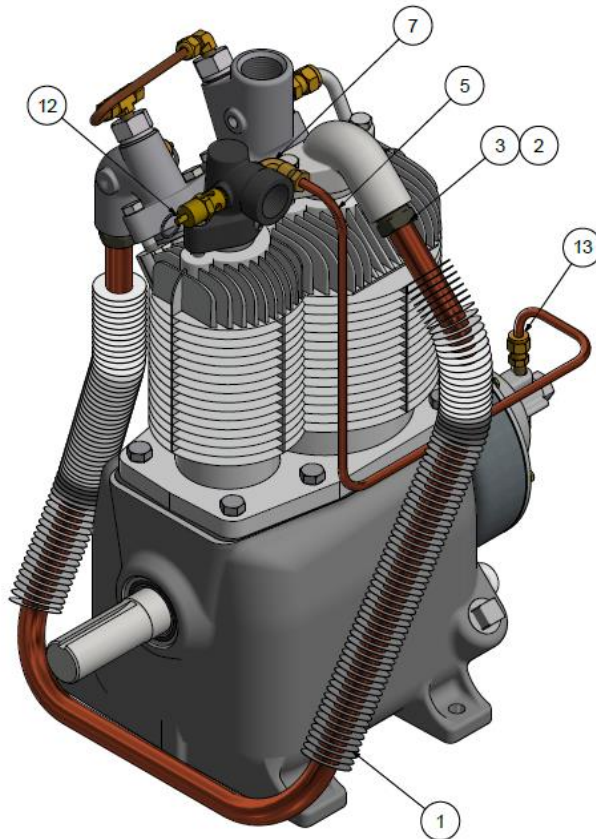
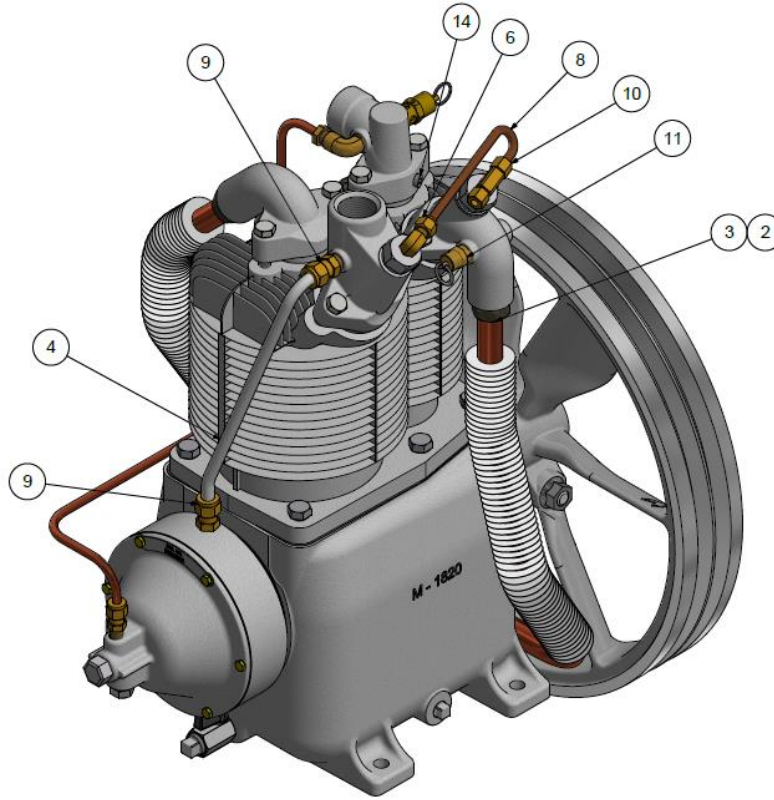
| Item | Part Number | Description | Qty |
|------|-------------|---|-----|
| 1 | 315CAP272* | INTERCOOLER | 1 |
| 2 | SE542 | COMPRESSION FERRULE | 2 |
| 3 | SE541 | COMPRESSION NUT | 2 |
| 4 | UB375* | BREATHER TUBE | 1 |
| 5 | 306CAP294 | UNLOADER TUBE | 1 |
| 6 | M3465 | 3/8-16 SCREW | 1 |
| 7 | M807 | BRACKET | 1 |
| 8 | M2854 | PILOT VALVE 90-120# (125 psi discharge) | 1 |
| 8 | M2853 | PILOT VALVE 140-170# (175 psi discharge) | 1 |
| 9 | M2868 | COMPRESSION FITTING, ELBOW | 2 |
| 10 | 63Z15 | PIPE NIPPLE | 1 |
| 11 | VP1022988 | BALL VALVE | 1 |
| 12 | 86A40 | COMPRESSION FITTING, ELBOW | 2 |
| 13 | P12556A | TUBE, MANIFOLD | 1 |
| 14 | 300CAP294 | TUBE, HEAD UNLOADER | 1 |
| 15 | M2864 | COMPRESSION FITTING, STRAIGHT | 2 |
| 16 | M2879 | COMPRESSION FITTING, TEE | 1 |
| 17 | M3685 | PRESSURE RELIEF VALVE, 75 PSIG (INTERSTAGE) | 1 |
| 18 | P09704A | PRESSURE RELIEF VALVE, 270 PSIG (DISCHARGE) | 1 |
| 19 | M2863 | COMPRESSION FITTING, STRAIGHT | 1 |

*not sold separately, see repair parts

REPAIR PARTS

| Item | Part Number | Description | Qty |
|---------|-------------|---|-----|
| 1, 2, 3 | Z9140 | KIT, INTERCOOLER WITH FITTINGS | 1 |
| 4, 15 | ZUB375 | KIT, BREATHER TUBE WITH FITTINGS | 1 |
| - | Z9144 | KIT, HEAD UNLOADER CONVERSION (includes manifolds, unloader valves assemblies, pilot valve, fittings and tubing) | 1 |

Tubing and Control Group, Engine Driven



385CAP810-02
Ref Drawing

Tubing and Control Group, Engine Driven

TUBING & CONTROL GROUP, ENGINE DRIVEN

309CAP272

| Item | Part Number | Description | Qty |
|------|-------------|---|-----|
| 1 | 315CAP272* | INTERCOOLER | 1 |
| 2 | SE542 | COMPRESSION FERRULE | 2 |
| 3 | SE541 | COMPRESSION NUT | 2 |
| 4 | UB375* | BREATHER TUBE | 1 |
| 5 | 306CAP294 | UNLOADER TUBE | 1 |
| 6 | M2868 | COMPRESSION FITTING, ELBOW | 1 |
| 7 | 86A40 | ELBOW-TUBE | 1 |
| 8 | P12556A | TUBE, MANIFOLD | 1 |
| 9 | M2864 | COMPRESSION FITTING, STRAIGHT | 2 |
| 10 | M2879 | COMPRESSION FITTING, TEE | 1 |
| 11 | M3685 | PRESSURE RELIEF VALVE, 75 PSIG (INTERSTAGE) | 1 |
| 12 | P09704A | PRESSURE RELIEF VALVE, 270 PSIG (DISCHARGE) | 1 |
| 13 | M2863 | COMPRESSION FITTING, STRAIGHT | 1 |
| 14 | 64AC1 | PLUG | 1 |

*not sold separately, see repair parts

REPAIR PARTS

| Item | Part Number | Description | Qty |
|---------|-------------|----------------------------------|-----|
| 1, 2, 3 | Z9140 | KIT, INTERCOOLER WITH FITTINGS | 1 |
| 4, 15 | ZUB375 | KIT, BREATHER TUBE WITH FITTINGS | 1 |

High Temperature Switch (Optional)



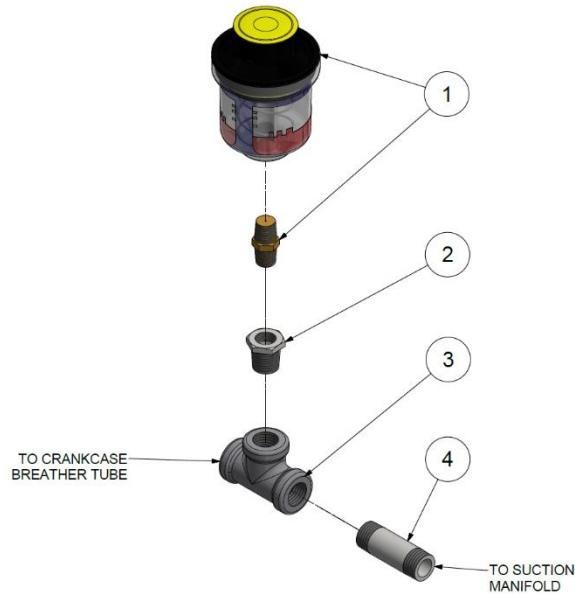
TEN008394-01
Ref Drawing

HIGH TEMPERATURE SWITCH

TEN008394

| Item | Part Number | Description | Qty |
|------|-------------|--------------------------|-----|
| 1 | TEN001792 | SWITCH, HIGH TEMP, 450°F | 1 |
| 2 | 003FE98 | CORD GRIP | 1 |
| 3 | TEN008088 | SEALING RING | 1 |
| 4 | TEN008089 | LOCK NUT | 1 |
| 5 | M1003B | PIPE TEE | 1 |
| 6 | P08798A | PIPE NIPPLE | 1 |

Filter Maintenance Indicator (Optional)



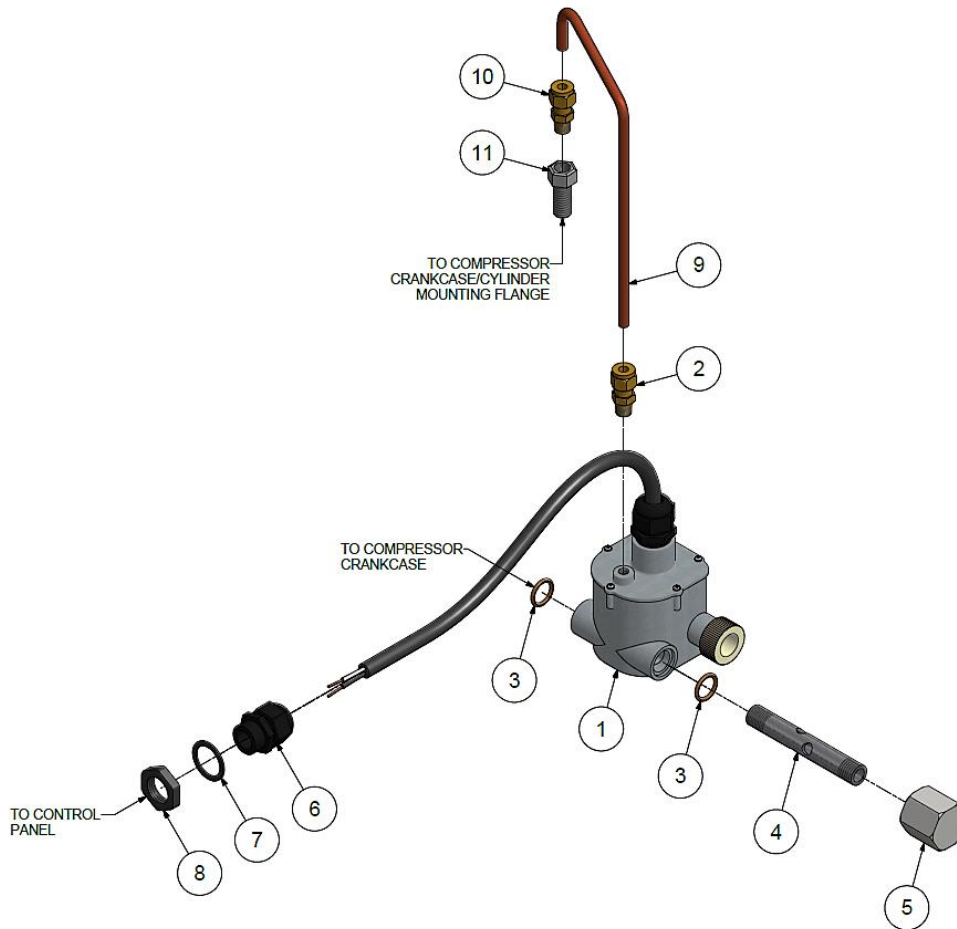
TEN013353-01
Ref Drawing

FILTER MAINTENANCE INDICATOR

TEN013353

| Item | Part Number | Description | Qty |
|------|-------------|------------------|-----|
| 1 | P11683A | FILTER INDICATOR | 1 |
| 2 | 64E44 | PIPE BUSHING | 1 |
| 3 | M1003B | PIPE TEE | 1 |
| 4 | M1016B | PIPE NIPPLE | 1 |

Low Oil Shutdown Control (Optional)



TEN008800-00
Ref Drawing

LOW OIL SHUTDOWN CONTROL

TEN008800

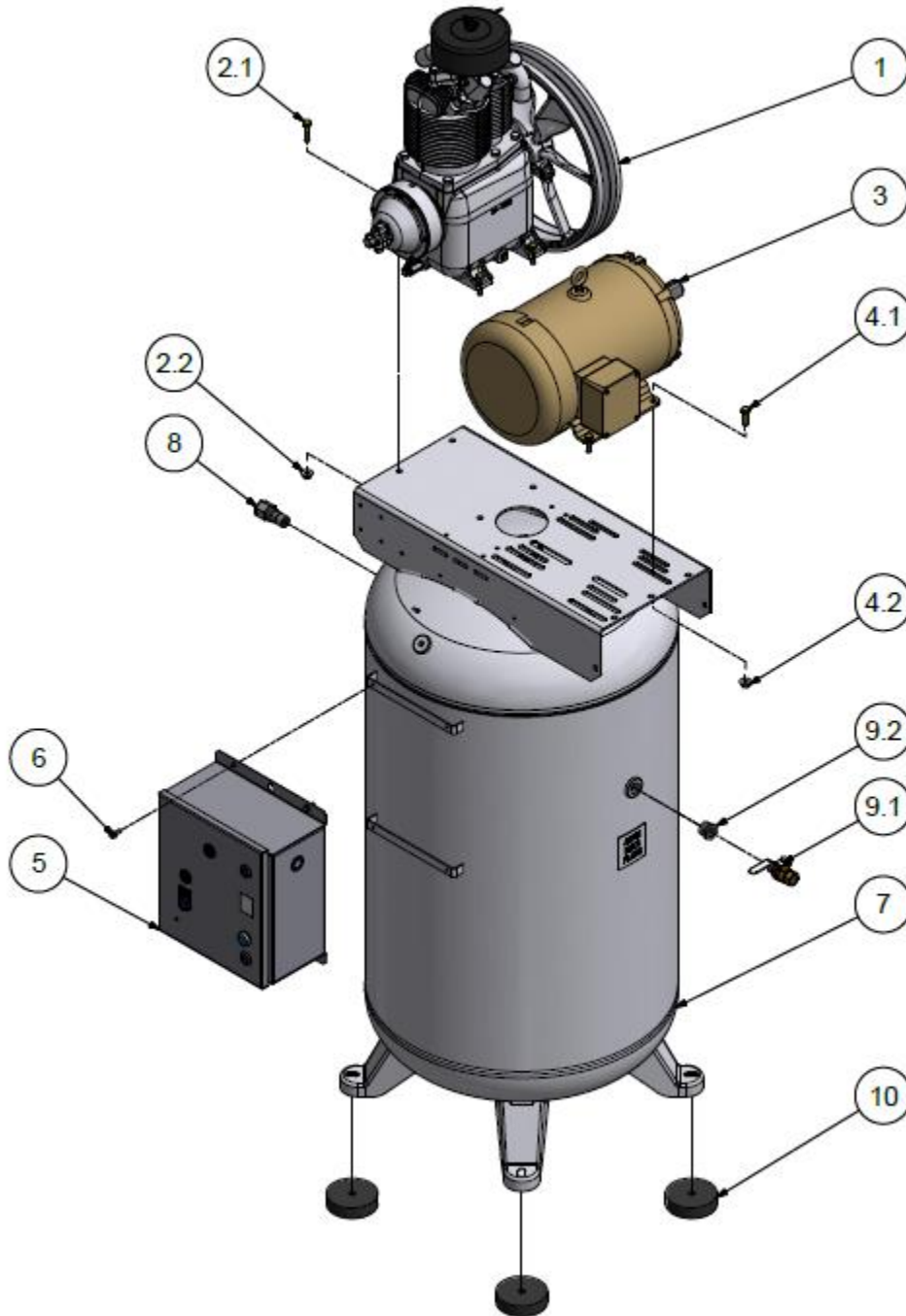
| Item | Part Number | Description | Qty |
|------|-------------|----------------------------------|-----|
| 1 | TEN008741 | SWITCH, LOW OIL SHUTDOWN CONTROL | 1 |
| 2 | M2863 | COMPRESSION FITTING, STRAIGHT | 1 |
| 3 | 2009222 | O-RING | 2 |
| 4 | CC1153304 | OIL TUBE | 1 |
| 5 | LO30 | RETAINER CAP | 1 |
| 6 | 003FE98 | CORD GRIP | 1 |
| 7 | TEN008088 | SEALING RING | 1 |
| 8 | TEN008089 | LOCK NUT | 1 |
| 9 | CC1007635 | VENT TUBE | 1 |
| 10 | M2863 | COMPRESSION FITTING, STRAIGHT | 1 |
| 11 | P13757A | VENT FITTING | 1 |

REPAIR PARTS

| Item | Part Number | Description | Qty |
|------|-------------|--------------------------------|-----|
| 1-11 | TEN008808 | KIT, LOSC W/CABLE, COMPLETE | 1 |
| 1-4 | TEN008855 | KIT, LOSC W/CABLE, REPLACEMENT | 1 |

Section 3 – Electric Packages

Vertical Package

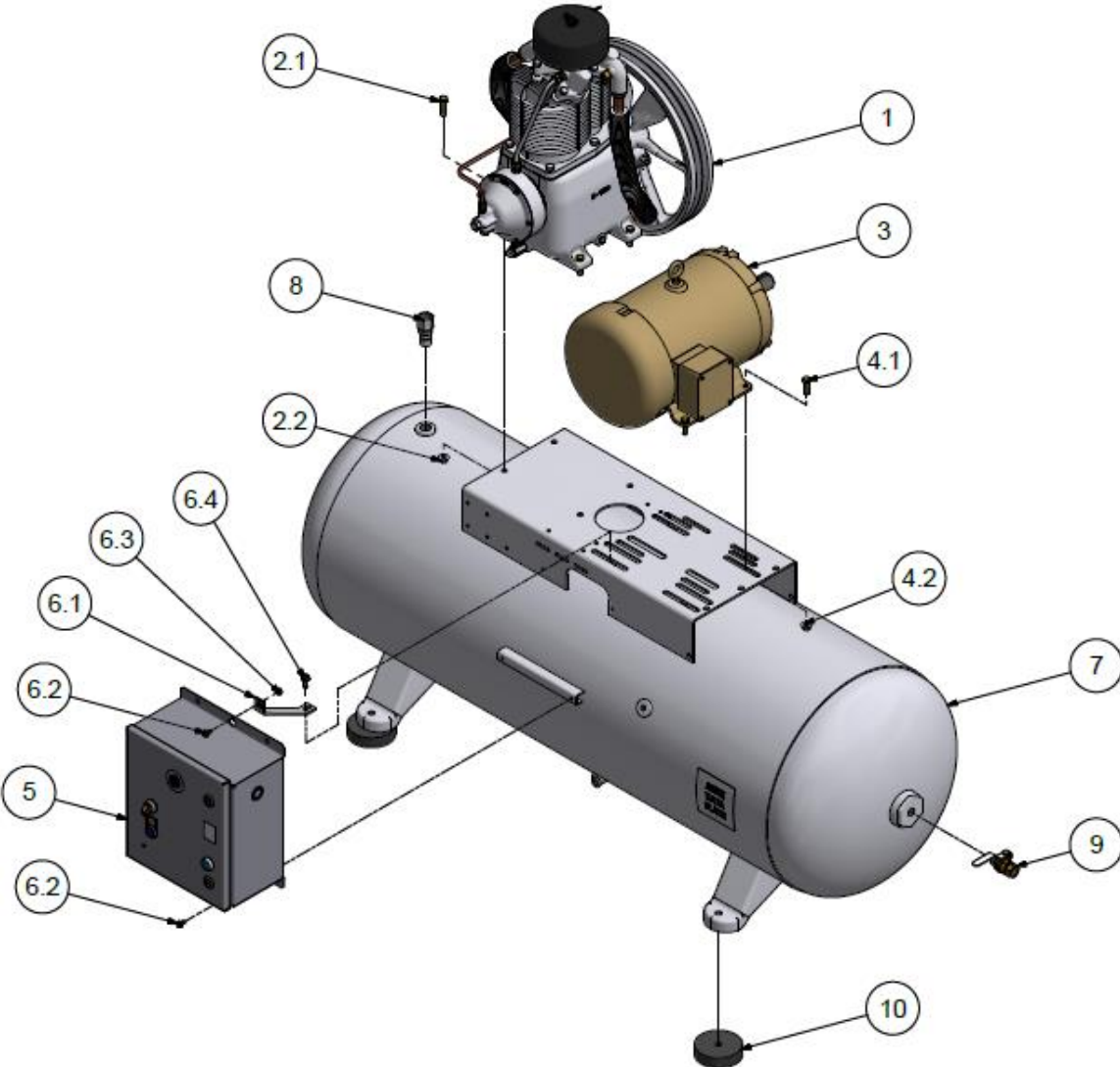


400CAS810-02
Ref Drawing

Vertical Package

| Item | Part Number | Description | Qty |
|---------------------------------------|--------------|---|-------------------|
| COMPRESSOR | | | R2-30A |
| 1 | R2-30A-P01 | R15 COMPRESSOR | 1 |
| 1 | R2-30A-P03 | R15 COMPRESSOR W/HEAD UNLOADERS | 1 |
| COMPRESSOR MOUNTING | | | 401CAS4017 |
| 2.1 | M3460 | 3/8-16 SCREW | 4 |
| 2.2 | M3483 | 3/8-16 NUT | 4 |
| MOTOR | | | |
| 3 | - | SEE MOTOR LISTING ON FOLLOWING PAGE | 1 |
| MOTOR MOUNTING | | | 401CAS4015 |
| 4.1 | M3440 | 3/8-16 SCREW | 4 |
| 4.2 | M3483 | 3/8-16 NUT | 4 |
| SIMPLEX CONTROL PANEL | | | |
| 5 | - | SEE PART NUMBER LISTING IN CONTROL PANEL MANUAL CQF3475 | 1 |
| PANEL MOUNTING | | | |
| 6 | M3349 | 1/4-20 SCREW | 4 |
| VERTICAL AIR RECEIVER | | | |
| 7 | TEN007606-CH | RECEIVER, 60 GALLON VERTICAL, 200 PSI | 1 |
| 7 | TEN005603-CH | RECEIVER, 80 GALLON VERTICAL, 200 PSI | 1 |
| 7 | TEN007002-CH | RECEIVER, 120 GALLON VERTICAL, 200 PSI | 1 |
| CHECK VALVE | | | |
| 8 | P05822A | CHECK VALVE | 1 |
| BALL VALVE | | | 405CAS4061 |
| 9.1 | M3590 | BALL VALVE | 1 |
| 9.2 | M483 | BUSHING | 1 |
| VIBRATION ISOLATORS (OPTIONAL) | | | |
| 10 | P14608A | ISOLATOR, VIBRATION, 4" DIA. | 4 |

Horizontal Package, Simplex

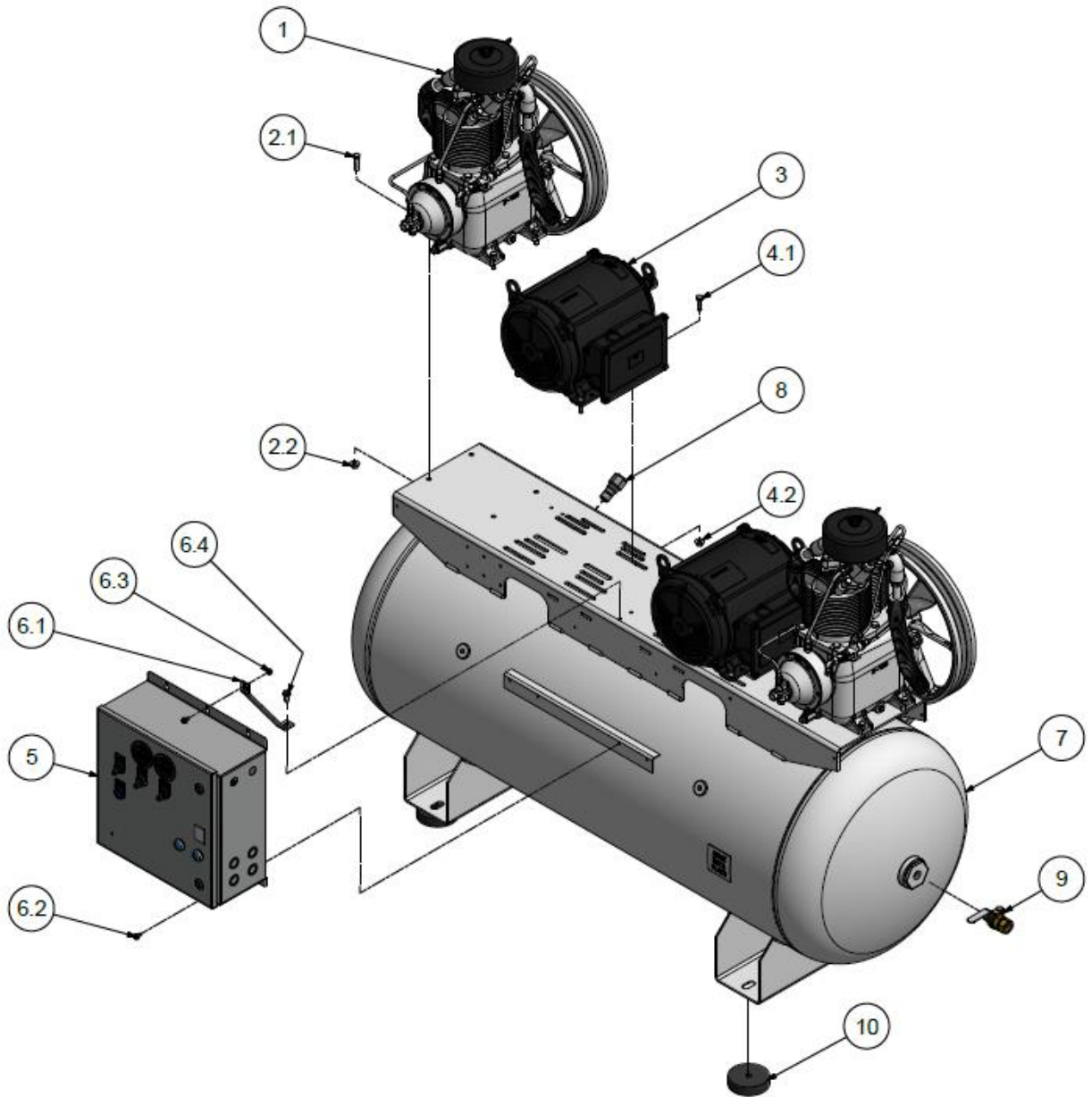


409CAS810-02
Ref Drawing

Horizontal Package, Simplex

| Item | Part Number | Description | Qty |
|---|---|--|-------------------|
| COMPRESSOR | | | R2-30A |
| 1 | R2-30A-P01 | R15 COMPRESSOR | 1 |
| 1 | R2-30A-P03 | R15 COMPRESSOR W/HEAD UNLOADERS | 1 |
| COMPRESSOR MOUNTING | | | 401CAS4017 |
| 2.1 | M3460 | 3/8-16 SCREW | 4 |
| 2.2 | M3483 | 3/8-16 NUT | 4 |
| MOTOR | | | |
| 3 | SEE MOTOR LISTING ON FOLLOWING PAGE | | 1 |
| MOTOR MOUNTING | | | 401CAS4015 |
| 4.1 | M3440 | 3/8-16 SCREW | 4 |
| 4.2 | M3483 | 3/8-16 NUT | 4 |
| SIMPLEX CONTROL PANEL | | | |
| 5 | SEE PART NUMBER LISTING IN CONTROL PANEL MANUAL CQF3475 | | 1 |
| PANEL MOUNTING | | | |
| 6.1 | TEN008116 | BRACKET-PANEL, 30 GL HORIZONTAL | 1 |
| 6.1 | TEN008117 | BRACKET-PANEL, 60-80 GL HORIZONTAL | 1 |
| 6.1 | TEN008118 | BRACKET-PANEL, 120 GL HORIZONTAL | 1 |
| 6.2 | M3349 | 1/4-20 SCREW | 3 |
| 6.3 | 50AW3 | 1/4-20 UNC NUT | 1 |
| 6.4 | M1454 | 5/16-18 SCREW | 1 |
| HORIZONTAL AIR RECEIVER / BASE PLATE | | | |
| 7 | TEN007508-CH | RECEIVER, 30 GALLON HORIZONTAL, 200 PSI | 1 |
| 7 | TEN007285-CH | RECEIVER, 60 GALLON HORIZONTAL, 200 PSI | 1 |
| 7 | TEN007325-CH | RECEIVER, 80 GALLON HORIZONTAL, 200 PSI | 1 |
| 7 | TEN005638-CH | RECEIVER, 120 GALLON HORIZONTAL, 200 PSI | 1 |
| 7 | P09195C | BASE MOUNT PLATE (NOT SHOWN) | 1 |
| CHECK VALVE | | | |
| 8 | P05822A | CHECK VALVE | 1 |
| 8 | M953B | BUSHING (FOR 120 GL, NOT SHOWN) | 1 |
| BALL VALVE | | | |
| 9 | M3590 | BALL VALVE | 1 |
| VIBRATION ISOLATORS (OPTIONAL) | | | |
| 10 | P14608A | ISOLATOR, VIBRATION, 4" DIA. | 4 |

Horizontal Package, Duplex

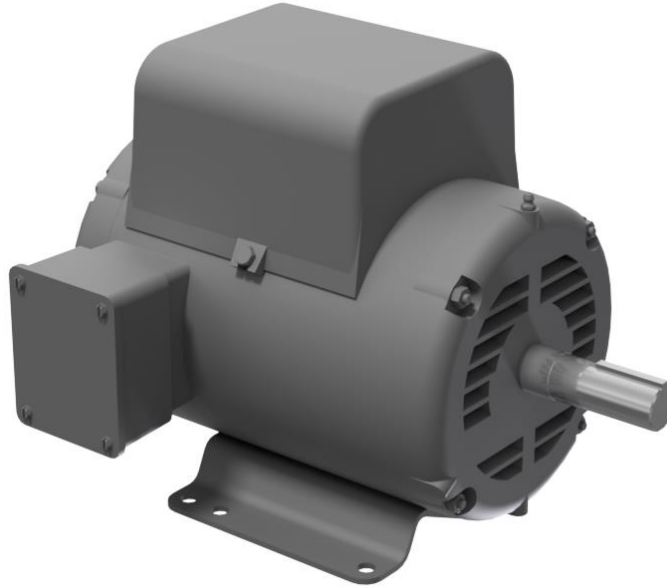


426CAD810-01
Ref Drawing

Horizontal Package, Duplex

| Item | Part Number | Description | Qty |
|---------------------------------------|---|--|-------------------|
| COMPRESSOR | | | R2-30A |
| 1 | R2-30A-P01 | R15 COMPRESSOR | 2 |
| 1 | R2-30A-P03 | R15 COMPRESSOR W/HEAD UNLOADERS | 2 |
| COMPRESSOR MOUNTING | | | 401CAS4017 |
| 2.1 | M3460 | 3/8-16 SCREW | 8 |
| 2.2 | M3483 | 3/8-16 NUT | 8 |
| MOTOR | | | |
| 3 | SEE MOTOR LISTING ON FOLLOWING PAGE | | 1 |
| MOTOR MOUNTING | | | 401CAS4015 |
| 4.1 | M3440 | 3/8-16 SCREW | 8 |
| 4.2 | M3483 | 3/8-16 NUT | 8 |
| DUPLEX CONTROL PANEL | | | |
| 5 | SEE PART NUMBER LISTING IN CONTROL PANEL MANUAL CQF3538 | | 1 |
| PANEL MOUNTING | | | |
| 6.1 | TEN015538 | BRACKET, PANEL, 80 GL HORIZONTAL | 1 |
| 6.1 | TEN015555 | BRACKET, PANEL, 120 GL HORIZONTAL | 1 |
| 6.1 | TEN015558 | BRACKET, PANEL, 240 GL HORIZONTAL | 1 |
| 6.2 | M3349 | 1/4-20 SCREW | 3 |
| 6.3 | 50AW3 | 1/4-20 UNC NUT | 1 |
| 6.4 | M1454 | 5/16-18 SCREW | 1 |
| HORIZONTAL AIR RECEIVER | | | |
| 7 | TEN008721-CH | RECEIVER, 80 GALLON HORIZONTAL, 200 PSI | 1 |
| 7 | TEN008747-CH | RECEIVER, 120 GALLON HORIZONTAL, 200 PSI | 1 |
| 7 | TEN008759-CH | RECEIVER, 240 GALLON HORIZONTAL, 200 PSI | 1 |
| CHECK VALVE | | | |
| 8 | P05822A | CHECK VALVE | 1 |
| BALL VALVE | | | |
| 9 | CQM3756 | BALL VALVE | 1 |
| VIBRATION ISOLATORS (OPTIONAL) | | | |
| 10 | P14608A | ISOLATOR, VIBRATION, 4" DIA. | 4 |

Electric Motor List

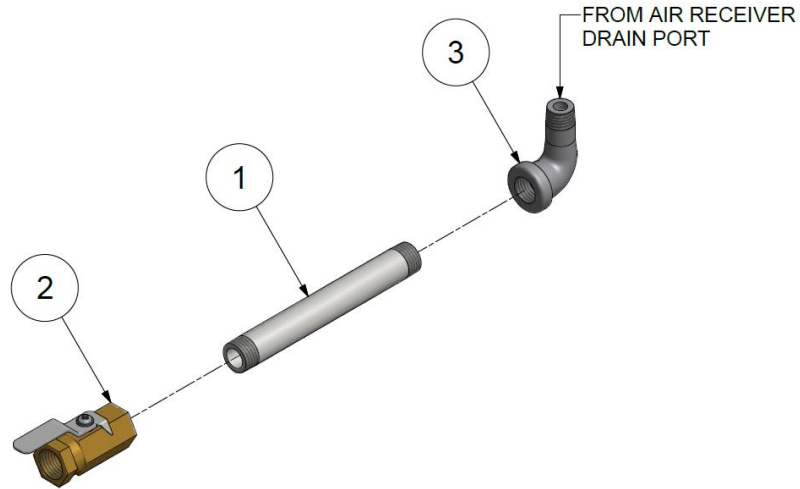


MOTOR

R2-30A

| Item | Part Number | Description | Qty |
|------|-------------|-------------------------------------|-----|
| 3 | TEN019935 | MOTOR 5HP 208V 60HZ 1PH ODP | 1 |
| 3 | P14632CP | MOTOR 5HP 208V 60HZ 1PH TEFC | 1 |
| 3 | TEN021993 | MOTOR 5HP 230V 60HZ 1PH ODP | 1 |
| 3 | P14632CP | MOTOR 5HP 230V 60HZ 1PH TEFC | 1 |
| 3 | 24CA6644 | MOTOR 5HP 208V 60HZ 3PH ODP | 1 |
| 3 | 24CA6646 | MOTOR 5HP 208V 60HZ 3PH TEFC | 1 |
| 3 | 24CA6647 | MOTOR 5HP 230V-460V 60HZ 3PH ODP | 1 |
| 3 | 24CA6648 | MOTOR 5HP 230V-460V 60HZ 3PH TEFC | 1 |
| 3 | 24CA6649 | MOTOR 5HP 575V 60HZ 3PH ODP | 1 |
| 3 | 24CA6650 | MOTOR 5HP 575V 60HZ 3PH TEFC | 1 |
| 3 | 24CA7988 | MOTOR 7.5HP 208V 60HZ 1PH ODP | 1 |
| 3 | VP1045830 | MOTOR 7.5HP 208V 60HZ 1PH TEFC | 1 |
| 3 | TEN023604 | MOTOR 7.5HP 230V 60HZ 1PH ODP | 1 |
| 3 | VP1045830 | MOTOR 7.5HP 230V 60HZ 1PH TEFC | 1 |
| 3 | 24CA6652 | MOTOR 7.5HP 208V 60HZ 3PH ODP | 1 |
| 3 | 24CA6654 | MOTOR 7.5HP 208V 60HZ 3PH TEFC | 1 |
| 3 | 24CA6655 | MOTOR 7.5HP 230V-460V 60HZ 3PH ODP | 1 |
| 3 | 24CA6656 | MOTOR 7.5HP 230V-460V 60HZ 3PH TEFC | 1 |
| 3 | 24CA6657 | MOTOR 7.5HP 575V 60HZ 3PH ODP | 1 |
| 3 | 24CA6658 | MOTOR 7.5HP 575V 60HZ 3PH TEFC | 1 |

Tank Drain, Manual



401CAS810-01
Ref Drawing

MANUAL TANK DRAIN, 30 GL HORIZONTAL

404CAS4027

| Item | Part Number | Description | Qty |
|------|-------------|-------------------|-----|
| 1 | M1016B | PIPE NIPPLE, 1.5" | 1 |
| 2 | VP1022988 | BALL VALVE | 1 |
| 3 | M980B | PIPE ELBOW | 1 |

MANUAL TANK DRAIN, 60-80 GL HORIZONTAL & 60-80-120 GL VERTICAL

CC1044092

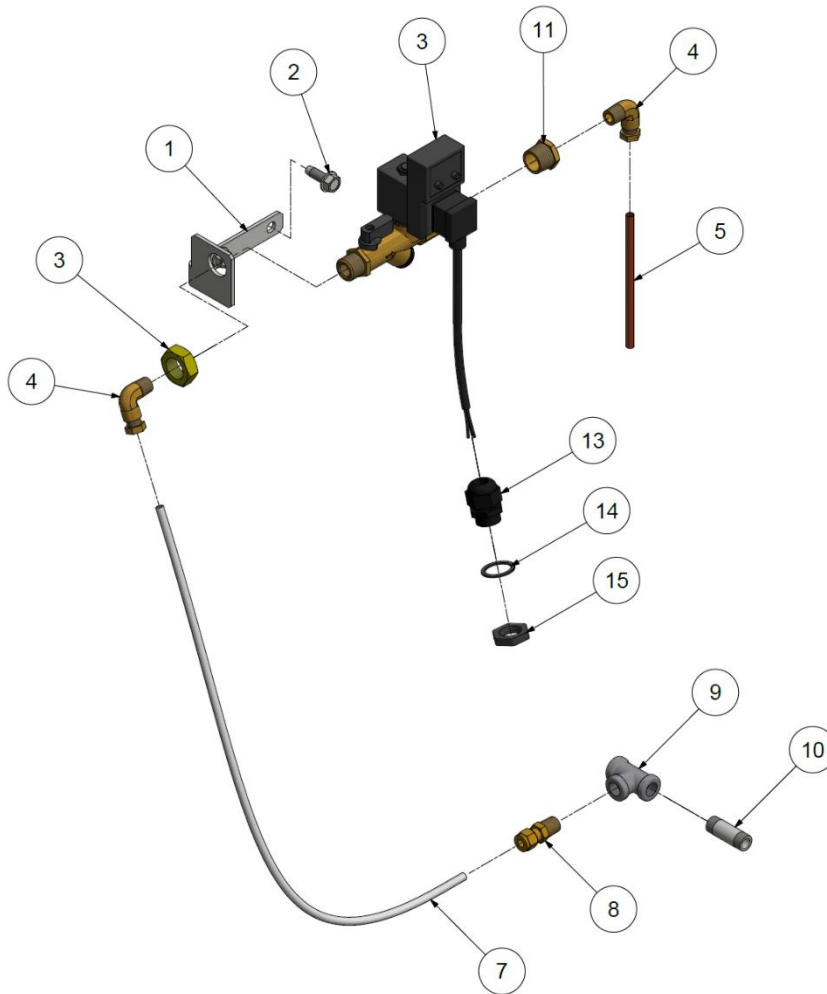
| Item | Part Number | Description | Qty |
|------|-------------|-----------------|-----|
| 1 | M1020B | PIPE NIPPLE, 8" | 1 |
| 2 | VP1022988 | BALL VALVE | 1 |
| 3 | M980B | PIPE ELBOW | 1 |

MANUAL TANK DRAIN, 120-240 GL HORIZONTAL

401CAS4027

| Item | Part Number | Description | Qty |
|------|-------------------|-----------------|-----|
| 1 | M1020B | PIPE NIPPLE, 8" | 1 |
| 2 | VP1022988 | BALL VALVE | 1 |
| 3 | M980B | PIPE ELBOW | 1 |
| - | M1318 (NOT SHOWN) | PIPE BUSHING | 1 |

Tank Drain, Electric (Optional)



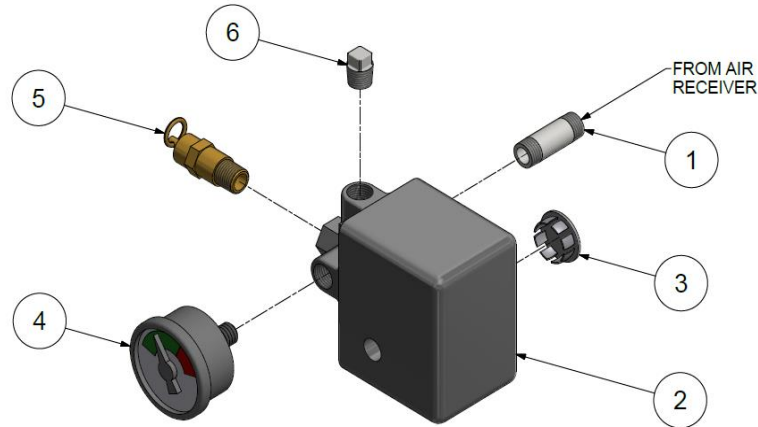
TEN002668-03
Ref Drawing

ELECTRIC TANK DRAIN

TEN002668

| Item | Part Number | Description | Qty |
|------|-------------|-------------------------------|------|
| 1 | CC1049403 | BRACKET | 1 |
| 2 | M1454 | 5/16-18 SCREW | 2 |
| 3 | TEN001368 | VALVE, ETD, W/STRAINER | 1 |
| 4 | 86A40 | COMPRESSION FITTING, ELBOW | 2 |
| 5 | M2471 | COPPER TUBING | 6 IN |
| 7 | P08084A | PLASTIC TUBING | 5 FT |
| 8 | M2862 | COMPRESSION FITTING, STRAIGHT | 1 |
| 9 | M1003B | PIPE TEE | 1 |
| 10 | M1016B | PIPE NIPPLE | 1 |
| 11 | M3080 | PIPE BUSHING | 1 |
| 13 | 003FE98 | CORD GRIP | 1 |
| 14 | TEN008088 | SEALING RING | 1 |
| 15 | TEN008089 | LOCK NUT | 1 |

Control Group, Simplex Start/Stop



402CAS810-01
Ref Drawing
(Nema 1)

START/STOP CONTROL, NEMA 1

401CAS4052
403CAS4052

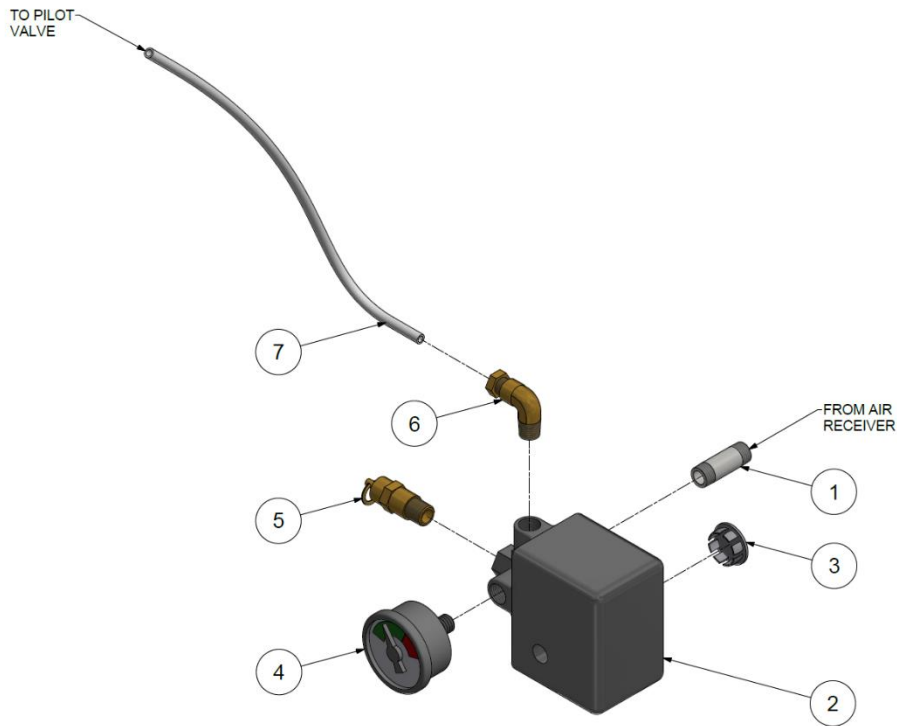
| Item | Part Number | Description | Qty |
|------|-------------|---|-----|
| 1 | M1016B | PIPE NIPPLE, 1.5" | 1 |
| 2 | P14205A | SWITCH, PRESSURE, 95-125 (125 psi discharge) | 1 |
| 2 | P14202A | SWITCH, PRESSURE, 140-175 (175 psi discharge) | 1 |
| 3 | M2352 | KNOCKOUT HOLE PLUG | 1 |
| 4 | M519C | PRESSURE GAUGE | 1 |
| 5 | M2843 | PRESSURE RELIEF VALVE, 200# | 1 |
| 6 | 64AA5 | PIPE PLUG | 1 |

START/STOP CONTROL, NEMA 4

405CAS4052

| Item | Part Number | Description | Qty |
|------|------------------|---|-----|
| 1 | M1016B | PIPE NIPPLE, 1.5" | 1 |
| 2 | P07333A | SWITCH, PRESSURE, N4 (125 or 175 psi discharge) | 1 |
| 4 | M519C | PRESSURE GAUGE | 1 |
| 5 | M2843 | PRESSURE RELIEF VALVE, 200# | 1 |
| - | 64K1 (not shown) | PIPE CROSS | 1 |

Control Group, Simplex Dual Control (Optional)



408CAS810-02
Ref Drawing
(Nema 1)

407CAS4052
411CAS4052

DUAL CONTROL, NEMA 1

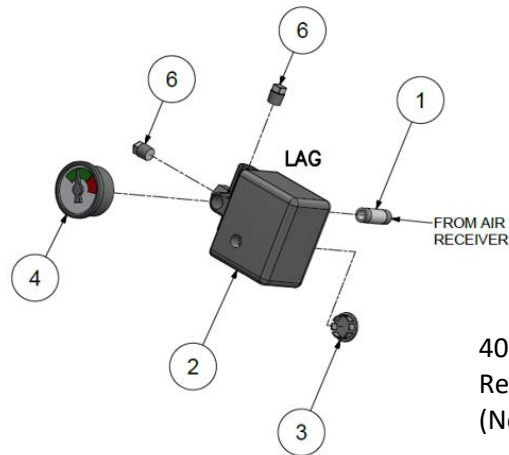
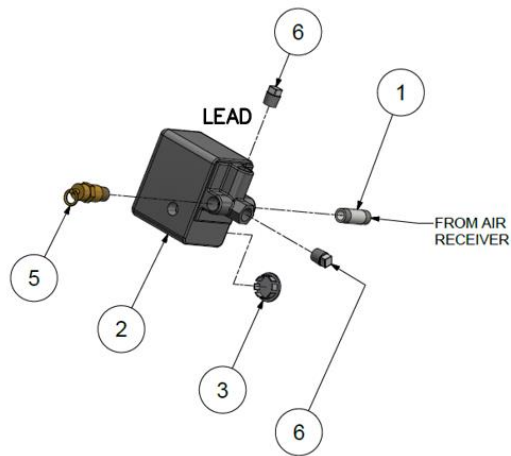
| Item | Part Number | Description | Qty |
|------|-------------|---|--------|
| 1 | M1016B | NIPPLE | 1 |
| 2 | P14205A | SWITCH, PRESSURE, 95-125 (125 psi discharge) | 1 |
| 2 | P14202A | SWITCH, PRESSURE, 140-175 (175 psi discharge) | 1 |
| 3 | M2352 | KNOCKOUT HOLE PLUG | 1 |
| 4 | M519C | PRESSURE GAUGE | 1 |
| 5 | M2843 | PRESSURE RELIEF VALVE, 200# | 1 |
| 6 | 86A40 | COMPRESSION FITTING, ELBOW | 1 |
| 7 | P08084A | PLASTIC TUBING | 3.5 FT |

409CAS4052
413CAS4052

DUAL CONTROL, NEMA 4

| Item | Part Number | Description | Qty |
|------|--------------------|---|------|
| 1 | M1016B | NIPPLE | 2 |
| - | M1003B (not shown) | PIPE TEE | 1 |
| - | 64K1 (not shown) | PIPE CROSS | 1 |
| 2 | P07333A | SWITCH, PRESSURE, N4 (125 or 175 psi discharge) | 1 |
| 4 | M519C | PRESSURE GAUGE | 1 |
| 5 | M2843 | PRESSURE RELIEF VALVE, 200# | 1 |
| 6 | 86A40 | COMPRESSION FITTING, ELBOW | 1 |
| 7 | P08084A | PLASTIC TUBING | 3 FT |

Control Group, Duplex Start/Stop



400CAD810-00
Ref Drawing
(Nema 1)

401CAD4052
403CAD4052

START/STOP CONTROL, NEMA 1

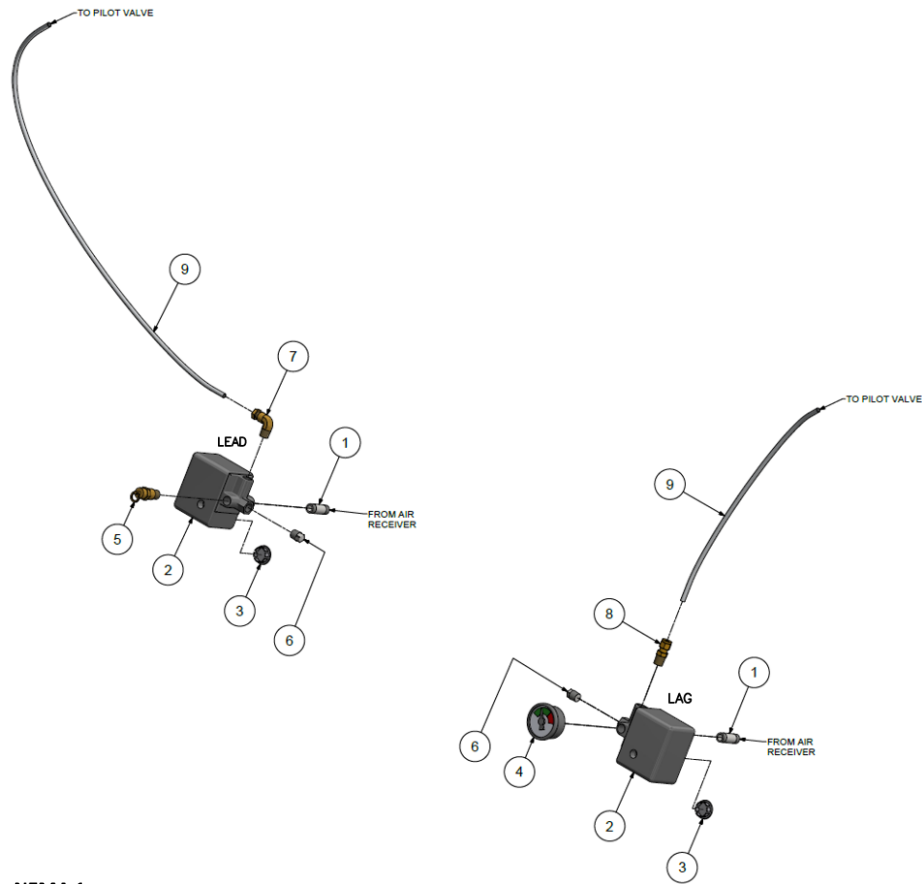
| Item | Part Number | Description | Qty |
|------|-------------|---|-----|
| 1 | M1016B | PIPE NIPPLE, 1.5" | 2 |
| 2 | P14205A | LEAD PRESSURE SWITCH, 95-125 (125 psi discharge) | 1 |
| 2 | P14205A | LAG PRESSURE SWITCH, 85-115 (125 psi discharge) | 1 |
| 2 | P14202A | LEAD PRESSURE SWITCH, 140-175 (175 psi discharge) | 1 |
| 2 | CC1055247 | LAG PRESSURE SWITCH, 130-165 (175 psi discharge) | 1 |
| 3 | M2352 | KNOCKOUT HOLE PLUG | 2 |
| 4 | M519C | PRESSURE GAUGE | 1 |
| 5 | M2843 | PRESSURE RELIEF VALVE, 200# | 1 |
| 6 | 64AA5 | PIPE PLUG | 4 |

START/STOP CONTROL, NEMA 4

405CAD4052

| Item | Part Number | Description | Qty |
|------|--------------------|---|-----|
| 1 | M1016B | PIPE NIPPLE, 1.5" | 2 |
| 2 | P07333A | LEAD PRESSURE SWITCH, 95-125 (125 psi discharge) | 1 |
| 2 | P07333A | LAG PRESSURE SWITCH, 85-115 (125 psi discharge) | 1 |
| 2 | P07333A | LEAD PRESSURE SWITCH, 140-175 (175 psi discharge) | 1 |
| 2 | P07333A | LAG PRESSURE SWITCH, 130-165 (175 psi discharge) | 1 |
| 4 | M519C | PRESSURE GAUGE | 1 |
| 5 | M2843 | PRESSURE RELIEF VALVE, 200# | 1 |
| - | M1003B (not shown) | PIPE TEE | 2 |

Control Group, Duplex Dual Control (Optional)



401CAD810-00
Ref Drawing
(Nema 1)

407CAD4052
411CAD4052

DUAL CONTROL, NEMA 1

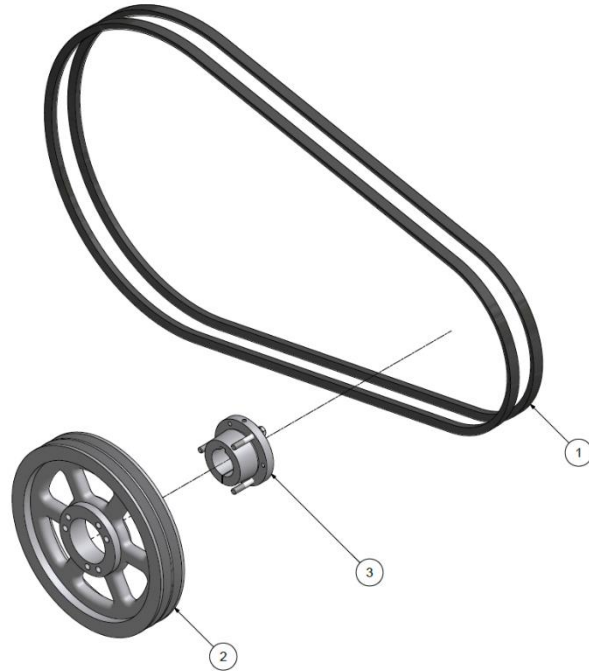
| Item | Part Number | Description | Qty |
|------|-------------|---|------|
| 1 | M1016B | NIPPLE | 2 |
| 2 | P14205A | LEAD PRESSURE SWITCH, 95-125 (125 psi discharge) | 1 |
| 2 | P14205A | LAG PRESSURE SWITCH, 85-115 (125 psi discharge) | 1 |
| 2 | P14202A | LEAD PRESSURE SWITCH, 140-175 (175 psi discharge) | 1 |
| 2 | CC1055247 | LAG PRESSURE SWITCH, 130-165 (175 psi discharge) | 1 |
| 3 | M2352 | KNOCKOUT HOLE PLUG 1/2 | 2 |
| 4 | M519C | PRESSURE GAUGE | 1 |
| 5 | M2843 | PRESSURE RELIEF VALVE, 200# | 1 |
| 6 | 64AA5 | PIPE PLUG | 2 |
| 7 | 86A40 | COMPRESSION FITTING, ELBOW | 1 |
| 8 | M2862 | COMPRESSION FITTING, STRAIGHT | 1 |
| 9 | P08084A | TUBING, PLASTIC, 1/4OD | 4 FT |

409CAD4052
413CAD4052

DUAL CONTROL, NEMA 4

| Item | Part Number | Description | Qty |
|------|--------------------|---|------|
| 1 | M1016B | NIPPLE | 2 |
| - | M1003B (not shown) | PIPE TEE | 2 |
| - | 64K1 (not shown) | PIPE CROSS | 2 |
| 2 | P07333A | LEAD PRESSURE SWITCH, 95-125 (125 psi discharge) | 1 |
| 2 | P07333A | LAG PRESSURE SWITCH, 85-115 (125 psi discharge) | 1 |
| 2 | P07333A | LEAD PRESSURE SWITCH, 140-175 (175 psi discharge) | 1 |
| 2 | P07333A | LAG PRESSURE SWITCH, 130-165 (175 psi discharge) | 1 |
| 4 | M519C | PRESSURE GAUGE | 1 |
| 5 | M2843 | PRESSURE RELIEF VALVE, 200# | 1 |
| 7 | 86A40 | COMPRESSION FITTING, ELBOW | 1 |
| 8 | M2862 | COMPRESSION FITTING, STRAIGHT | 1 |
| 9 | P08084A | PLASTIC TUBING | 4 FT |

Power Transmission



414CAS810-00
Ref Drawing

TRANSMISSION GROUP, R15, 125 PSI, 5 HP

Z3540

| Item | Part Number | Description | Qty |
|------|-------------|-----------------------------------|-----|
| 1 | B65 | V BELT | 2 |
| 2 | P11870C | PULLEY, 7.35OD, 1-1/8 BORE, 2VA/B | 1 |

TRANSMISSION GROUP, R15, 175 PSI, 5 HP

Z2439

| Item | Part Number | Description | Qty |
|------|-------------|----------------------------------|-----|
| 1 | B65 | V BELT | 2 |
| 2 | P11703A | PULLEY, 6.95OD, SDS, 2VA/B | 1 |
| 3 | P09358A | BUSHING, PULLEY, SDS, 1-1/8 BORE | 1 |

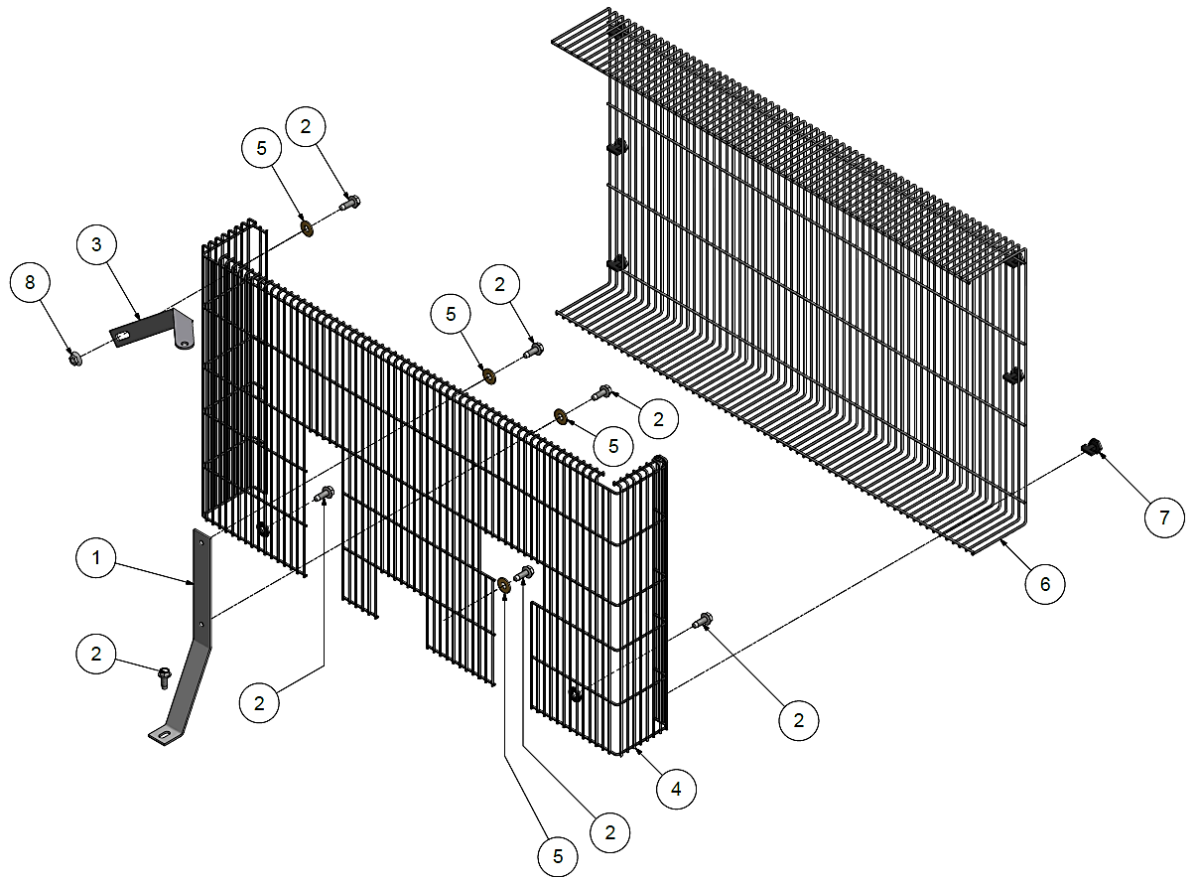
TRANSMISSION GROUP, R15, 125/175 PSI, 7.5 HP

Z6736

| Item | Part Number | Description | Qty |
|------|-------------|-------------------------------|-----|
| 1 | B68 | V BELT | 2 |
| 2 | P13912A | PULLEY, 9.35ODX, SK, 2GR, A/B | 1 |
| 3 | P05607A | BUSHING, PULLEY, SK, 1-3/8 | 1 |

Belt Guard, Standard

Simplex; Duplex Left Side



404CAS810-00
Ref Drawing

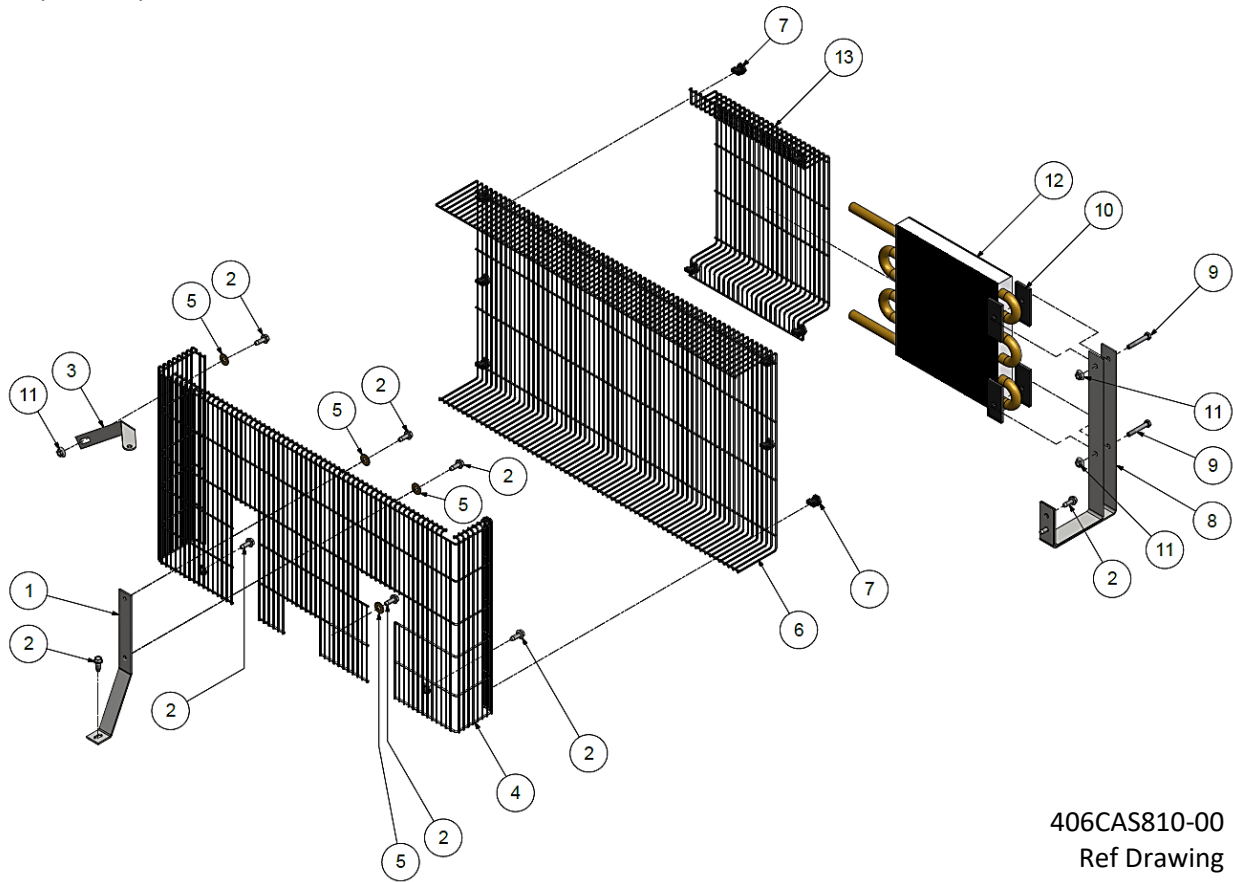
BELT GUARD, STANDARD

CC1060459

| Item | Part Number | Description | Qty |
|------|-------------|-------------------|-----|
| 1 | P09985B | BRACKET | 1 |
| 2 | M1454 | 5/16-18 SCREW | 6 |
| 3 | P14085B | BRACKET | 1 |
| 4 | CC1055727 | BELT GUARD, BACK | 1 |
| 5 | M3056 | WASHER | 6 |
| 6 | CC1055728 | BELT GUARD, FRONT | 1 |
| 7 | P10005A | CLIP | 6 |
| 8 | M3485 | 5/16-18 NUT | 1 |

Belt Guard, with Aftercooler (Optional)

Simplex; Duplex Left Side



406CAS810-00
Ref Drawing

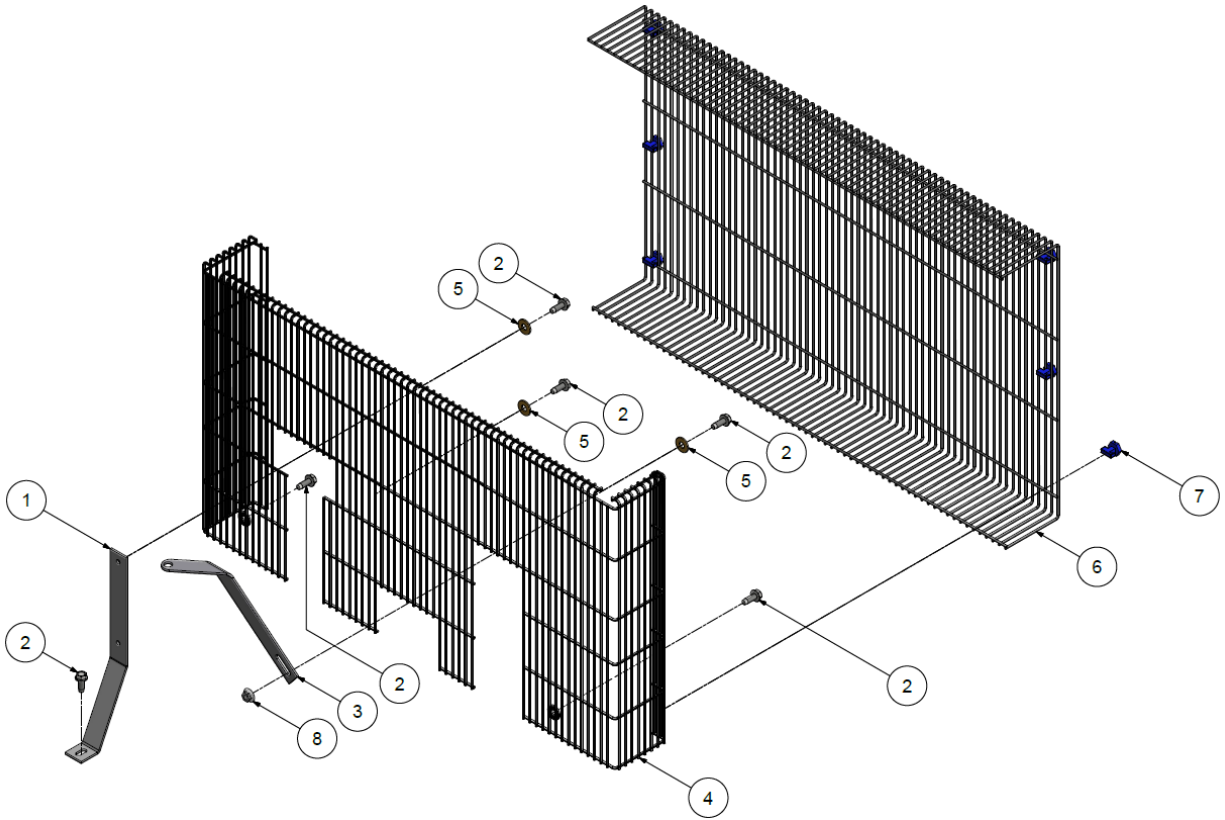
BELT GUARD, WITH AFTERCOOLER

CC1060458

| Item | Part Number | Description | Qty |
|------|-------------|---------------------|-----|
| 1 | P09985B | BRACKET | 1 |
| 2 | M1454 | 5/16-18 SCREW | 8 |
| 3 | P14085B | BRACKET | 1 |
| 4 | CC1055727 | BELT GUARD, BACK | 1 |
| 5 | M3056 | WASHER | 3 |
| 6 | CC1055728 | BELT GUARD, FRONT | 1 |
| 7 | P10005A | CLIP | 10 |
| 8 | CC1055729 | BRACKET | 1 |
| 9 | M2627 | 5/16-18 SCREW | 2 |
| 10 | M1367 | ISOLATOR, VIBRATION | 4 |
| 11 | M3485 | 5/16-18 NUT | 3 |
| 12 | P14477B | AFTERCOOLER | 1 |
| 13 | P14072C | AFTERCOOLER GUARD | 1 |

Belt Guard, Standard

Duplex Right Side



415CAD810-00
Ref Drawing

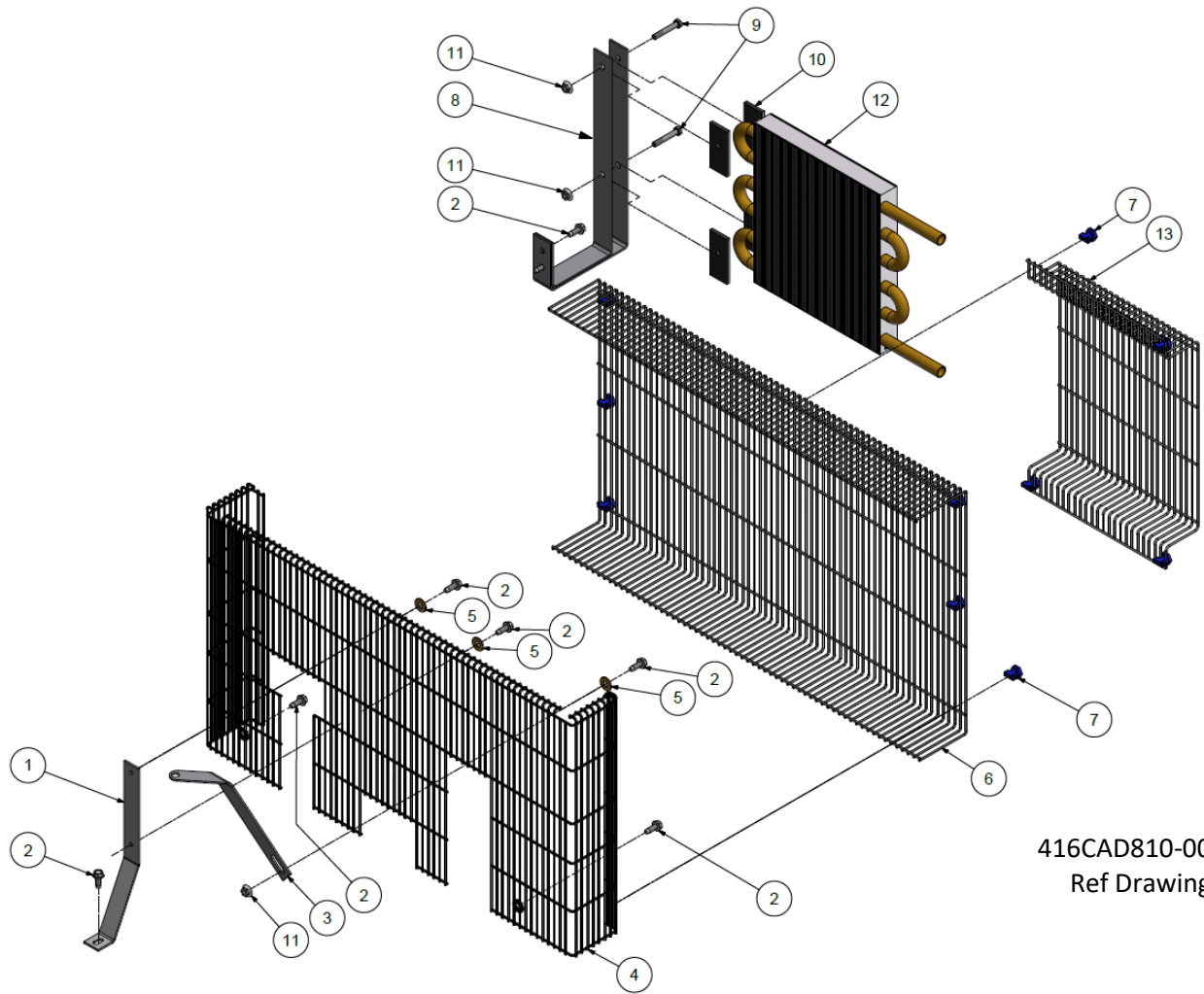
BELT GUARD, STANDARD

CC1060675

| Item | Part Number | Description | Qty |
|------|-------------|-------------------|-----|
| 1 | P09985B | BRACKET | 1 |
| 2 | M1454 | 5/16-18 SCREW | 6 |
| 3 | CC1060114 | BRACKET | 1 |
| 4 | CC1057890 | BELT GUARD, BACK | 1 |
| 5 | M3056 | WASHER | 6 |
| 6 | CC1055728 | BELT GUARD, FRONT | 1 |
| 7 | P10005A | CLIP | 6 |
| 8 | M3485 | 5/16-18 NUT | 1 |

Belt Guard, with Aftercooler (Optional)

Duplex Right Side



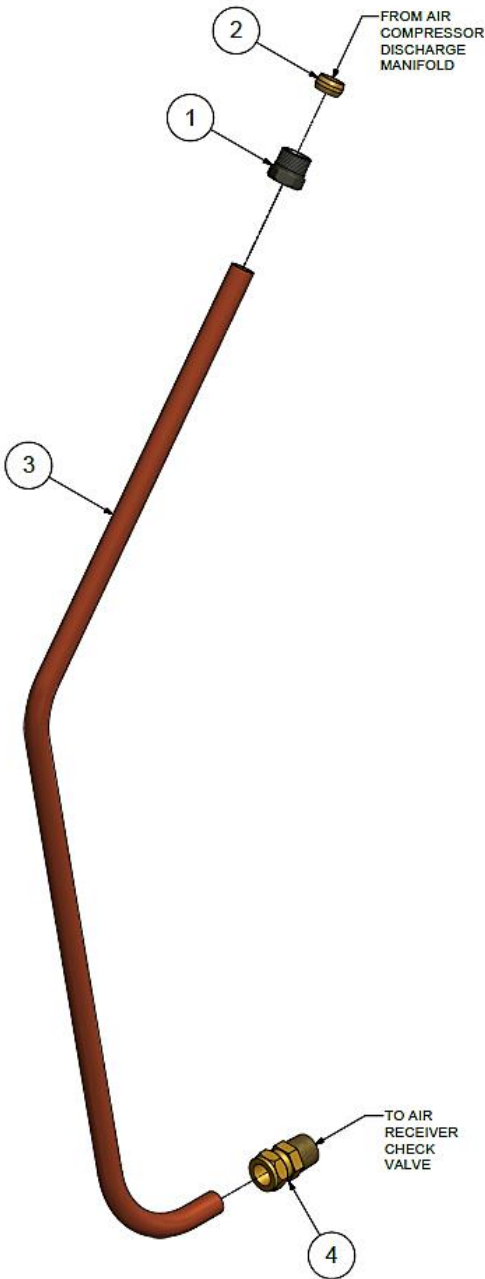
416CAD810-00
Ref Drawing

BELT GUARD, WITH AFTERCOOLER

CC1060674

| Item | Part Number | Description | Qty |
|------|-------------|---------------------|-----|
| 1 | P09985B | BRACKET | 1 |
| 2 | M1454 | 5/16-18 SCREW | 8 |
| 3 | CC1060114 | BRACKET | 1 |
| 4 | CC1057890 | BELT GUARD, BACK | 1 |
| 5 | M3056 | WASHER | 6 |
| 6 | CC1055728 | BELT GUARD, FRONT | 1 |
| 7 | P10005A | CLIP | 10 |
| 8 | CC1055729 | BRACKET | 1 |
| 9 | M2627 | 5/16-18 SCREW | 2 |
| 10 | M1367 | ISOLATOR, VIBRATION | 4 |
| 11 | M3485 | 5/16-18 NUT | 3 |
| 12 | P14477B | AFTERCOOLER | 1 |
| 13 | P14072C | AFTERCOOLER GUARD | 1 |

Discharge Piping, Vertical, Standard



405CAS810-00
Ref Drawing

Discharge Piping, Vertical, Standard

DISCHARGE PIPING, 60 GL VERTICAL, STANDARD

417CAS4022

| Item | Part Number | Description | Qty |
|------|-------------|-------------------------------|-----|
| 1 | SE541 | COMPRESSION NUT | 1 |
| 2 | SE542 | COMPRESSION FERRULE | 1 |
| 3 | TEN010239 | TUBE, DISCHARGE | 1 |
| 4 | M2867 | COMPRESSION FITTING, STRAIGHT | 1 |

DISCHARGE PIPING, 80 GL VERTICAL, STANDARD

407CAS4022

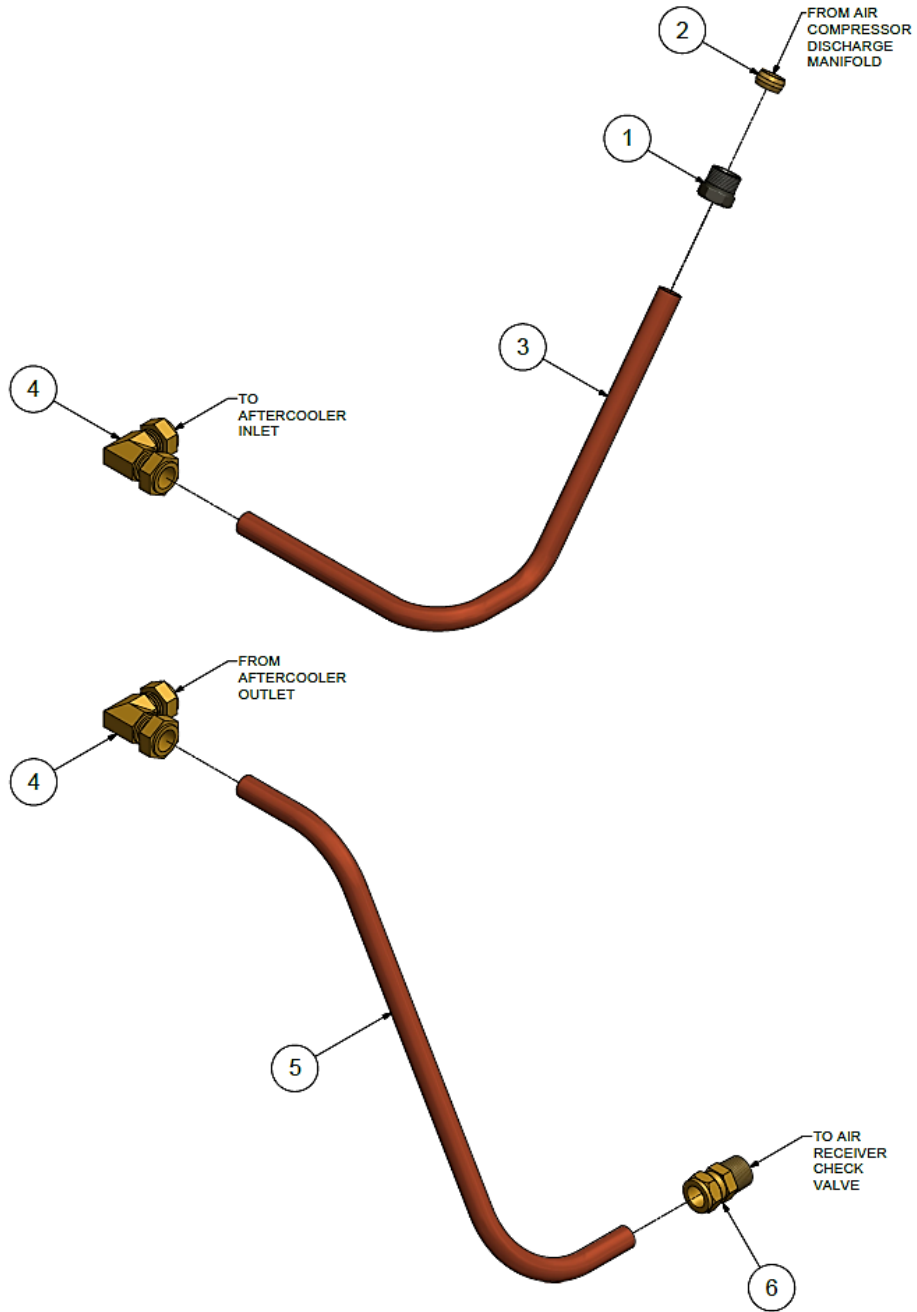
| Item | Part Number | Description | Qty |
|------|-------------|-------------------------------|-----|
| 1 | SE541 | COMPRESSION NUT | 1 |
| 2 | SE542 | COMPRESSION FERRULE | 1 |
| 3 | TEN010240 | TUBE, DISCHARGE | 1 |
| 4 | M2867 | COMPRESSION FITTING, STRAIGHT | 1 |

DISCHARGE PIPING, 120 GL VERTICAL, STANDARD

419CAS4022

| Item | Part Number | Description | Qty |
|------|-------------|----------------------------|-----|
| 1 | SE541 | COMPRESSION NUT | 1 |
| 2 | SE542 | COMPRESSION FERRULE | 1 |
| 3 | TEN010241 | TUBE, DISCHARGE | 1 |
| 4 | M2350 | COMPRESSION FITTING, ELBOW | 1 |

Discharge Piping, Vertical, with Aftercooler (Optional)



407CAS810-00
Ref Drawing

Discharge Piping, Vertical, with Aftercooler (Optional)

DISCHARGE PIPING, 60 GL VERTICAL, WITH AFTERCOOLER

418CAS4022

| Item | Part Number | Description | Qty |
|------|-------------|-------------------------------|-----|
| 1 | SE541 | COMPRESSION NUT | 1 |
| 2 | SE542 | COMPRESSION FERRULE | 1 |
| 3 | P10143B | TUBE, DISCHARGE, UPPER | 1 |
| 4 | M2288 | COMPRESSION FITTING, ELBOW | 2 |
| 5 | TEN010229 | TUBE, DISCHARGE, LOWER | 1 |
| 6 | M2867 | COMPRESSION FITTING, STRAIGHT | 1 |

DISCHARGE PIPING, 80 GL VERTICAL, WITH AFTERCOOLER

401CAS4022

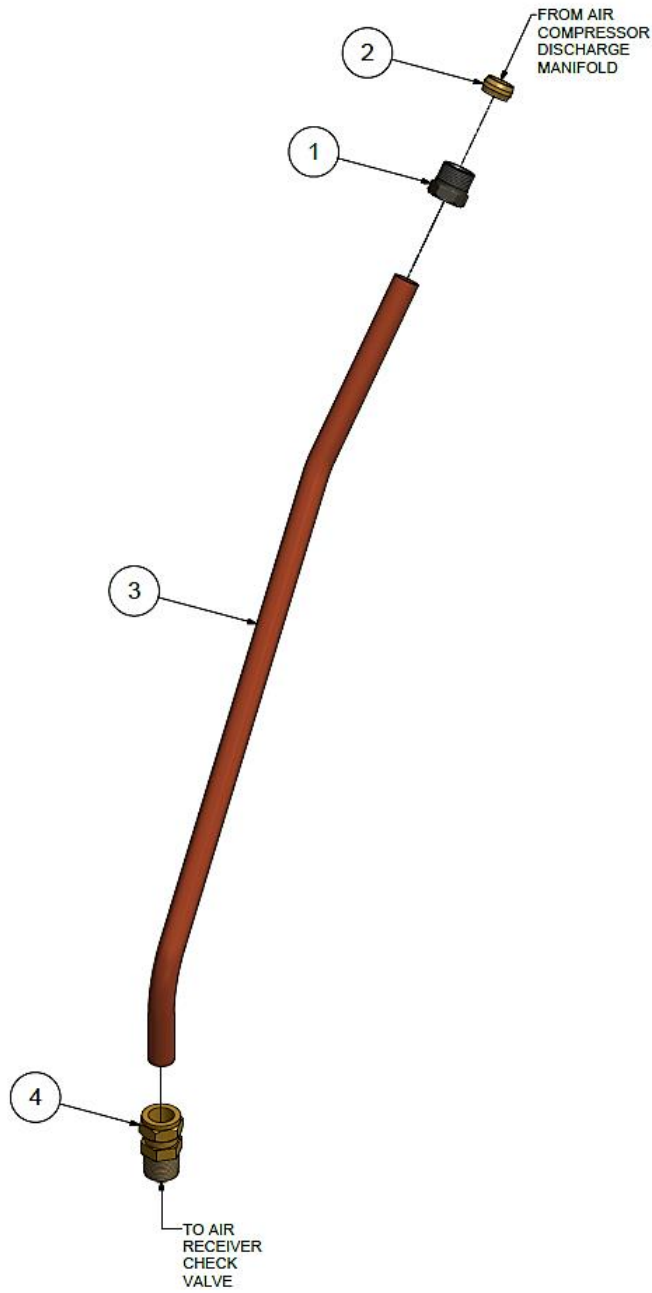
| Item | Part Number | Description | Qty |
|------|-------------|-------------------------------|-----|
| 1 | SE541 | COMPRESSION NUT | 1 |
| 2 | SE542 | COMPRESSION FERRULE | 1 |
| 3 | P10143B | TUBE, DISCHARGE, UPPER | 1 |
| 4 | M2288 | COMPRESSION FITTING, ELBOW | 2 |
| 5 | TEN009098 | TUBE, DISCHARGE, LOWER | 1 |
| 6 | M2867 | COMPRESSION FITTING, STRAIGHT | 1 |

DISCHARGE PIPING, 120 GL VERTICAL, WITH AFTERCOOLER

420CAS4022

| Item | Part Number | Description | Qty |
|------|-------------|----------------------------|-----|
| 1 | SE541 | COMPRESSION NUT | 1 |
| 2 | SE542 | COMPRESSION FERRULE | 1 |
| 3 | P10143B | TUBE, DISCHARGE, UPPER | 1 |
| 4 | M2288 | COMPRESSION FITTING, ELBOW | 2 |
| 5 | TEN010230 | TUBE, DISCHARGE, LOWER | 1 |
| 6 | M2350 | COMPRESSION FITTING, ELBOW | 1 |

Discharge Piping, Simplex Horizontal, Standard



410CAS810-00
Ref Drawing

Discharge Piping, Simplex Horizontal, Standard

DISCHARGE PIPING, BASE MOUNT, STANDARD

423CAS4022

| Item | Part Number | Description | Qty |
|------|-------------|---------------------|-----|
| 1 | SE541 | COMPRESSION NUT | 1 |
| 2 | SE542 | COMPRESSION FERRULE | 1 |

DISCHARGE PIPING, 30 GL HORIZONTAL, STANDARD

413CAS4022

| Item | Part Number | Description | Qty |
|------|-------------|----------------------------|-----|
| 1 | SE541 | COMPRESSION NUT | 1 |
| 2 | SE542 | COMPRESSION FERRULE | 1 |
| 3 | TEN010235 | TUBE, DISCHARGE | 1 |
| 4 | M2350 | COMPRESSION FITTING, ELBOW | 1 |

DISCHARGE PIPING, 60 GL HORIZONTAL, STANDARD

415CAS4022

| Item | Part Number | Description | Qty |
|------|-------------|-------------------------------|-----|
| 1 | SE541 | COMPRESSION NUT | 1 |
| 2 | SE542 | COMPRESSION FERRULE | 1 |
| 3 | TEN010236 | TUBE, DISCHARGE | 1 |
| 4 | M2867 | COMPRESSION FITTING, STRAIGHT | 1 |

DISCHARGE PIPING, 80 GL HORIZONTAL, STANDARD

421CAS4022

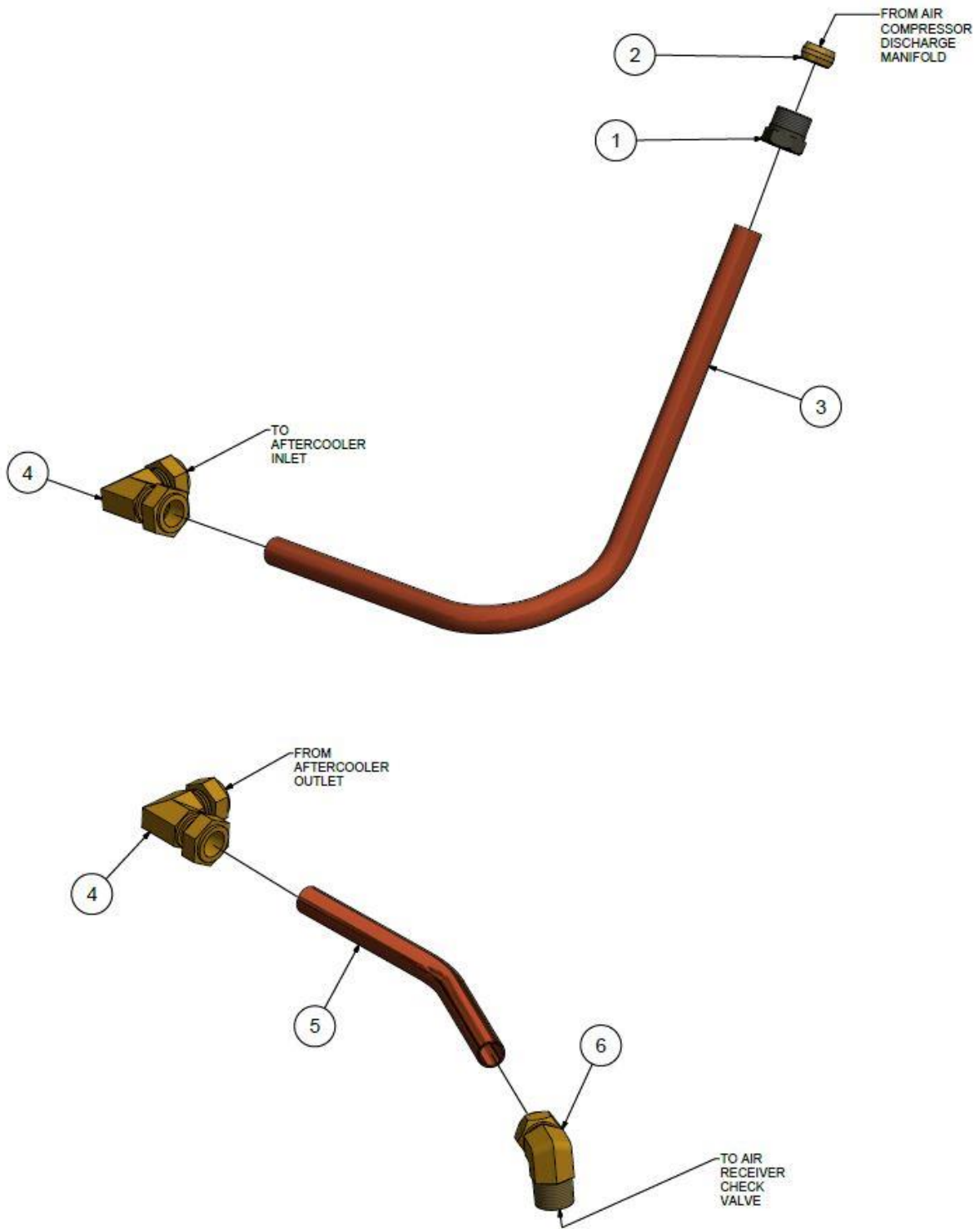
| Item | Part Number | Description | Qty |
|------|-------------|-------------------------------|-----|
| 1 | SE541 | COMPRESSION NUT | 1 |
| 2 | SE542 | COMPRESSION FERRULE | 1 |
| 3 | TEN010244 | TUBE, DISCHARGE | 1 |
| 4 | M2867 | COMPRESSION FITTING, STRAIGHT | 1 |

DISCHARGE PIPING, 120 GL HORIZONTAL, STANDARD

422CAS4022

| Item | Part Number | Description | Qty |
|------|-------------|-------------------------------|-----|
| 1 | SE541 | COMPRESSION NUT | 1 |
| 2 | SE542 | COMPRESSION FERRULE | 1 |
| 3 | TEN010244 | TUBE, DISCHARGE | 1 |
| 4 | M2867 | COMPRESSION FITTING, STRAIGHT | 1 |

Discharge Piping, Simplex Horizontal, with Aftercooler (Optional)



411CAS810-01
Ref Drawing

Discharge Piping, Simplex Horizontal, with Aftercooler (Optional)

DISCHARGE PIPING, BASE MOUNT, WITH AFTERCOOLER

424CAS4022

| Item | Part Number | Description | Qty |
|------|-----------------------|----------------------------|-----|
| 1 | SE541 | COMPRESSION NUT | 1 |
| 2 | SE542 | COMPRESSION FERRULE | 1 |
| 3 | P10143B | TUBE, DISCHARGE, UPPER | 1 |
| 4 | M2288 | COMPRESSION FITTING, ELBOW | 2 |
| - | M3424 (NOT SHOWN) | NUT | 2 |
| - | M3471 (NOT SHOWN) | SCREW | 2 |
| - | CC1032600 (NOT SHOWN) | COUPLING, BRACKETED | 1 |

DISCHARGE PIPING, 30 GL HORIZONTAL, WITH AFTERCOOLER

414CAS4022

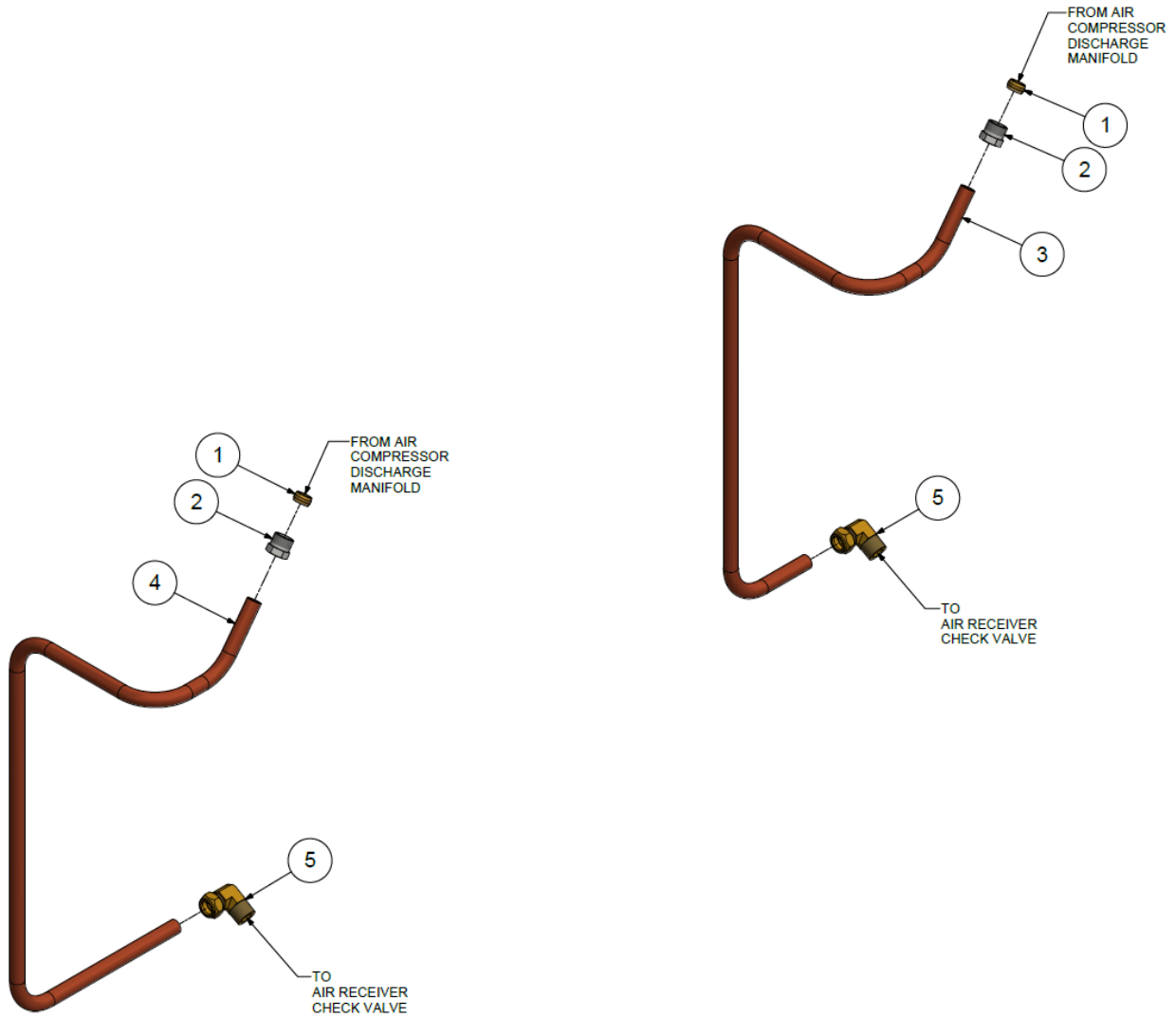
| Item | Part Number | Description | Qty |
|------|-------------|-------------------------------|-----|
| 1 | SE541 | COMPRESSION NUT | 1 |
| 2 | SE542 | COMPRESSION FERRULE | 1 |
| 3 | P10143B | TUBE, DISCHARGE, UPPER | 1 |
| 4 | M2288 | COMPRESSION FITTING, ELBOW | 2 |
| 5 | TEN010160 | TUBE, DISCHARGE, LOWER | 1 |
| 6 | M2867 | COMPRESSION FITTING, STRAIGHT | 1 |

DISCHARGE PIPING, 60-80-120 GL HORIZONTAL, WITH AFTERCOOLER

416CAS4022

| Item | Part Number | Description | Qty |
|------|-------------|----------------------------|-----|
| 1 | SE541 | COMPRESSION NUT | 1 |
| 2 | SE542 | COMPRESSION FERRULE | 1 |
| 3 | P10143B | TUBE, DISCHARGE, UPPER | 1 |
| 4 | M2288 | COMPRESSION FITTING, ELBOW | 2 |
| 5 | TEN010171 | TUBE, DISCHARGE, LOWER | 1 |
| 6 | M2350 | COMPRESSION FITTING, ELBOW | 1 |

Discharge Piping, Duplex, Standard



403CAD810-00
Ref Drawing

Discharge Piping, Duplex, Standard

DISCHARGE PIPING, 80 GL HORIZONTAL, STANDARD

405CAD4022

| Item | Part Number | Description | Qty |
|------|-------------|----------------------------|-----|
| 1 | SE542 | COMPRESSION NUT | 2 |
| 2 | SE541 | COMPRESSION FERRULE | 2 |
| 3 | TEN018228 | TUBE, DISCHARGE, RIGHT | 1 |
| 4 | TEN018229 | TUBE, DISCHARGE, LEFT | 1 |
| 5 | M2350 | COMPRESSION FITTING, ELBOW | 2 |

DISCHARGE PIPING, 120 GL HORIZONTAL, STANDARD

407CAD4022

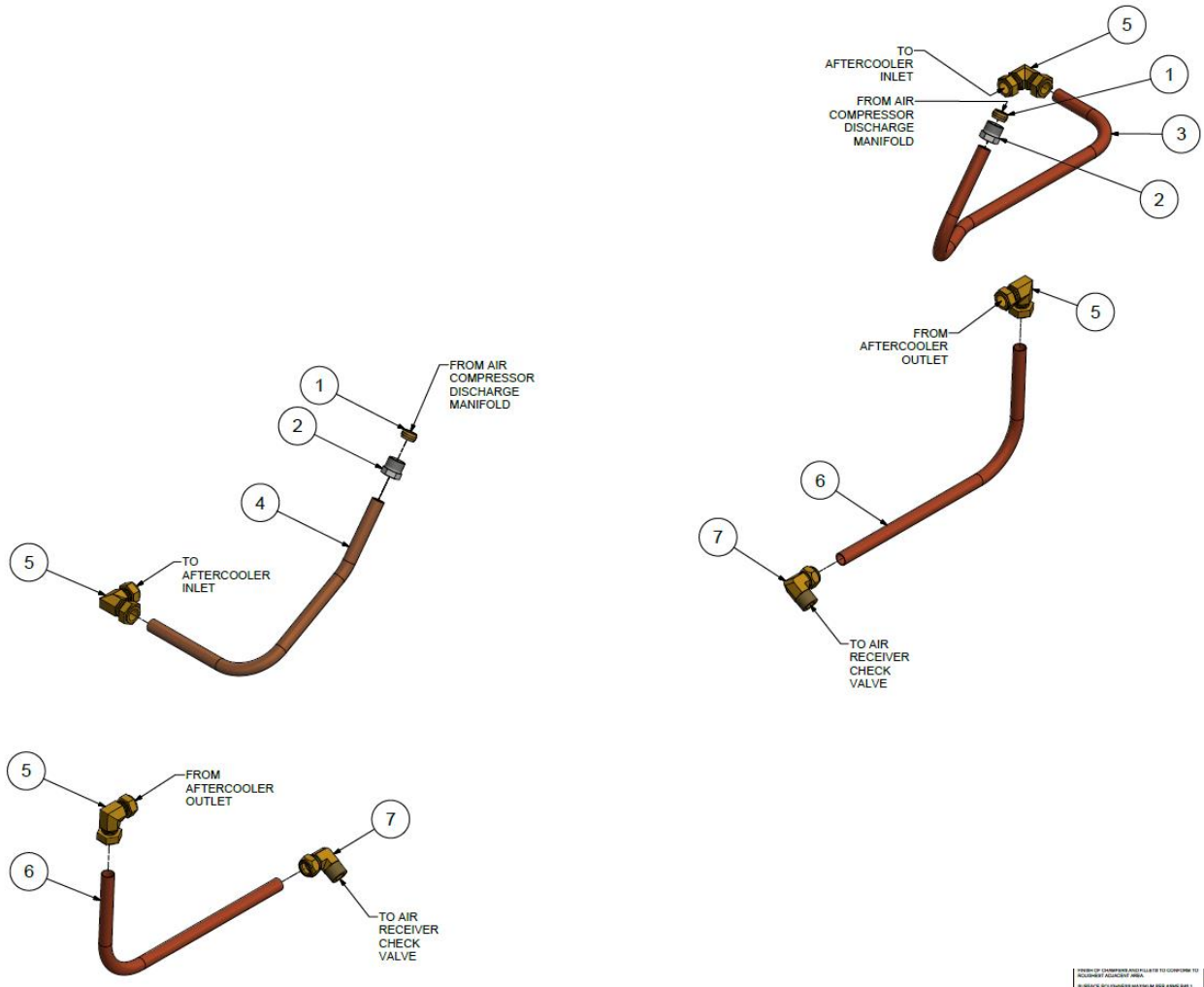
| Item | Part Number | Description | Qty |
|------|-------------|----------------------------|-----|
| 1 | SE542 | COMPRESSION NUT | 2 |
| 2 | SE541 | COMPRESSION FERRULE | 2 |
| 3 | TEN018192 | TUBE, DISCHARGE, RIGHT | 1 |
| 4 | TEN018193 | TUBE, DISCHARGE, LEFT | 1 |
| 5 | M2350 | COMPRESSION FITTING, ELBOW | 2 |

DISCHARGE PIPING, 240 GL HORIZONTAL, STANDARD

409CAD4022

| Item | Part Number | Description | Qty |
|------|-------------|----------------------------|-----|
| 1 | SE542 | COMPRESSION NUT | 2 |
| 2 | SE541 | COMPRESSION FERRULE | 2 |
| 3 | TEN018342 | TUBE, DISCHARGE, RIGHT | 1 |
| 4 | TEN018343 | TUBE, DISCHARGE, LEFT | 1 |
| 5 | M2350 | COMPRESSION FITTING, ELBOW | 2 |

Discharge Piping, Duplex, with Aftercooler (Optional)



404CAD810-00
Ref Drawing

Discharge Piping, Duplex, with Aftercooler (Optional)

DISCHARGE PIPING, 80 GL HORIZONTAL, WITH AFTERCOOLER

406CAD4022

| Item | Part Number | Description | Qty |
|------|-------------|-----------------------------|-----|
| 1 | SE542 | COMPRESSION NUT | 2 |
| 2 | SE541 | COMPRESSION FERRULE | 2 |
| 3 | CC1069229 | DISCHARGE TUBE, UPPER RIGHT | 1 |
| 4 | CC1069064 | DISCHARGE TUBE, UPPER LEFT | 1 |
| 5 | M2288 | COMPRESSION FITTING, ELBOW | 4 |
| 6 | TEN017954 | DISCHARGE TUBE, LOWER | 2 |
| 7 | M2350 | COMPRESSION FITTING, ELBOW | 2 |

DISCHARGE PIPING, 120 GL HORIZONTAL, WITH AFTERCOOLER

408CAD4022

| Item | Part Number | Description | Qty |
|------|-------------|-----------------------------|-----|
| 1 | SE542 | COMPRESSION NUT | 2 |
| 2 | SE541 | COMPRESSION FERRULE | 2 |
| 3 | CC1069229 | DISCHARGE TUBE, UPPER RIGHT | 1 |
| 4 | CC1069064 | DISCHARGE TUBE, UPPER LEFT | 1 |
| 5 | M2288 | COMPRESSION FITTING, ELBOW | 4 |
| 6 | TEN017954 | DISCHARGE TUBE, LOWER | 2 |
| 7 | M2350 | COMPRESSION FITTING, ELBOW | 2 |

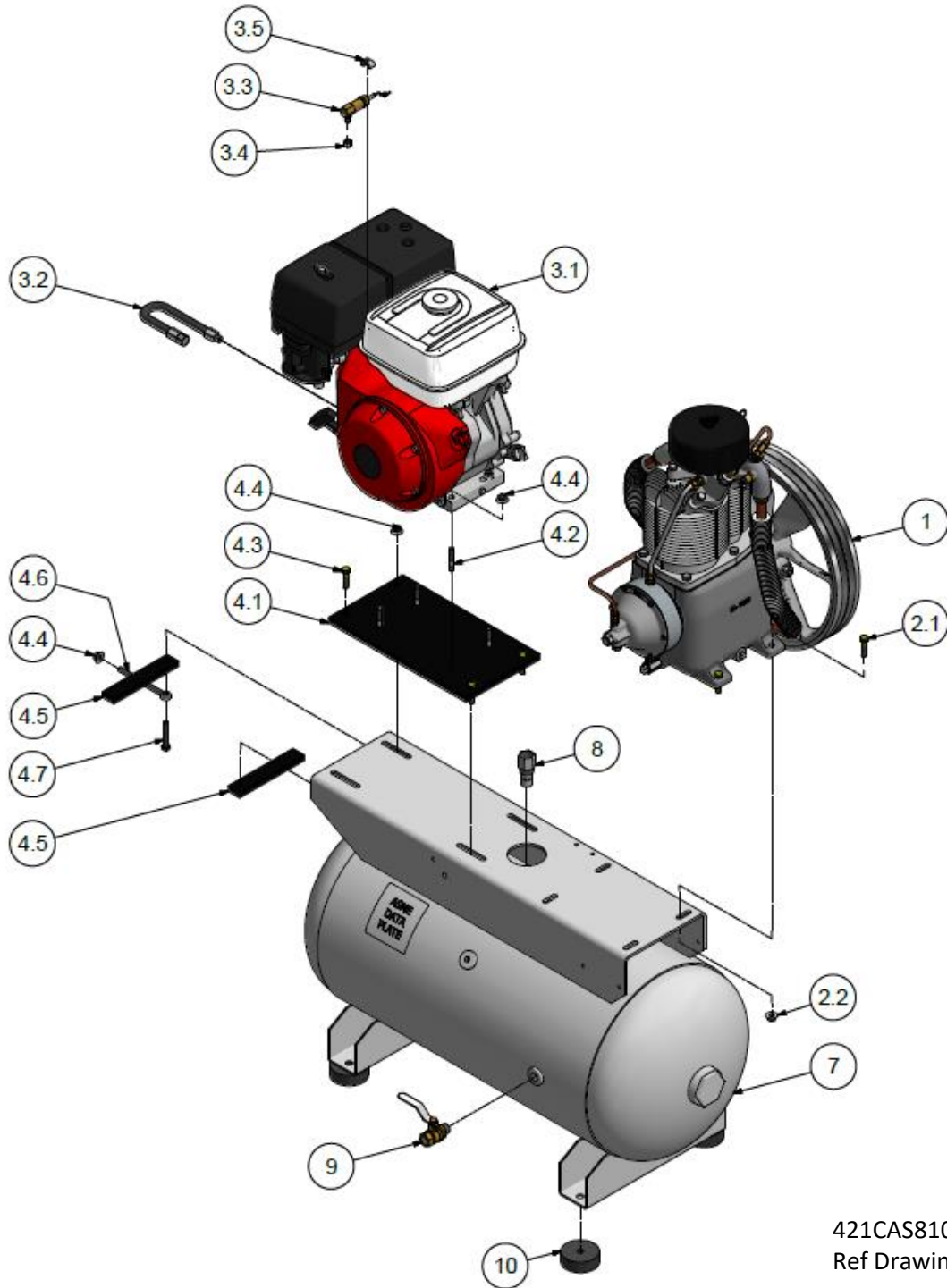
DISCHARGE PIPING, 240 GL HORIZONTAL, WITH AFTERCOOLER

410CAD4022

| Item | Part Number | Description | Qty |
|------|-------------|-----------------------------|-----|
| 1 | SE542 | COMPRESSION NUT | 2 |
| 2 | SE541 | COMPRESSION FERRULE | 2 |
| 3 | CC1069229 | DISCHARGE TUBE, UPPER RIGHT | 1 |
| 4 | CC1069064 | DISCHARGE TUBE, UPPER LEFT | 1 |
| 5 | M2288 | COMPRESSION FITTING, ELBOW | 4 |
| 6 | TEN018373 | DISCHARGE TUBE, LOWER | 2 |
| 7 | M2350 | COMPRESSION FITTING, ELBOW | 2 |

Section 4 – Engine Packages

Horizontal Package, Honda Gas Engine

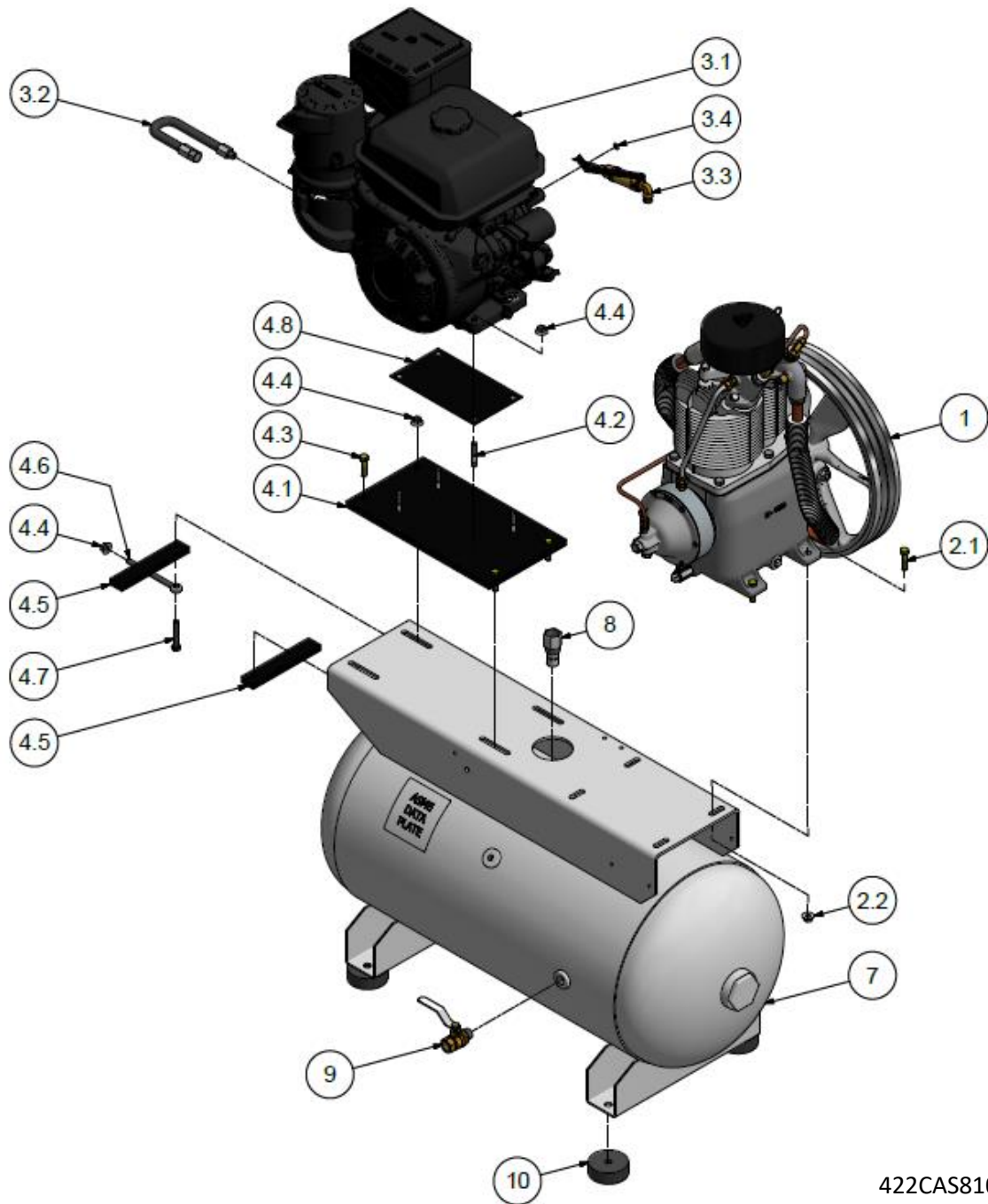


421CAS810-01
Ref Drawing

Horizontal Package, Honda Gas Engine

| Item | Part Number | Description | Qty |
|---|--------------|--|-------------------|
| COMPRESSOR | | | R2-30A |
| 1 | R2-30A-EP01 | R15 COMPRESSOR, ENGINE DRIVEN | 1 |
| COMPRESSOR MOUNTING | | | 401CAS4017 |
| 2.1 | M3460 | 3/8-16 SCREW | 4 |
| 2.2 | M3483 | 3/8-16 NUT | 4 |
| ENGINE | | | 303CAE4013 |
| 3.1 | VP1097010 | HONDA ENGINE, 13 HP | 1 |
| 3.2 | VP1096045 | OIL DRAIN | 1 |
| 3.3 | VP1096614 | THROTTLE CONTROL | 1 |
| 3.4 | M2959 | NUT & FERRULE | 1 |
| 3.5 | 306CAE017 | BRACKET, THROTTLE CONTROL | 1 |
| ENGINE MOUNTING | | | 406CAS4015 |
| 4.1 | 300CAE247 | MOTOR PLATE | 1 |
| 4.2 | VP1105236 | STUD | 4 |
| 4.3 | M3460 | 3/8-16 SCREW | 3 |
| 4.4 | M3483 | 3/8-16 NUT | 6 |
| 4.5 | 300CAE145 | MOTOR MOUNTING BRACKET | 2 |
| 4.6 | VP1096404 | EYE BOLT | 1 |
| 4.7 | 655ED09AZ | 3/8-16 UNC SCREW | 1 |
| HORIZONTAL AIR RECEIVER / BASE MOUNT | | | |
| 7 | TEN005522-CH | RECEIVER, 30 GL HORIZONTAL, 200 PSI | 1 |
| 7 | CC1096721-CH | RECEIVER, 60 GL HORIZONTAL, 200 PSI | 1 |
| 7 | CC1096723-CH | RECEIVER, 80 GL HORIZONTAL, 200PSI | 1 |
| 7 | 300CAE285 | BASE MOUNT PLATE, ENGINE DRIVE (NOT SHOWN) | 1 |
| CHECK VALVE | | | |
| 8 | P05822A | CHECK VALVE | 1 |
| BALL VALVE | | | |
| 9 | M3590 | BALL VALVE | 1 |
| VIBRATION ISOLATORS | | | |
| 10 | P14608A | ISOLATOR, VIBRATION, 4" DIA. | 4 |

Horizontal Package, Kohler Gas Engine

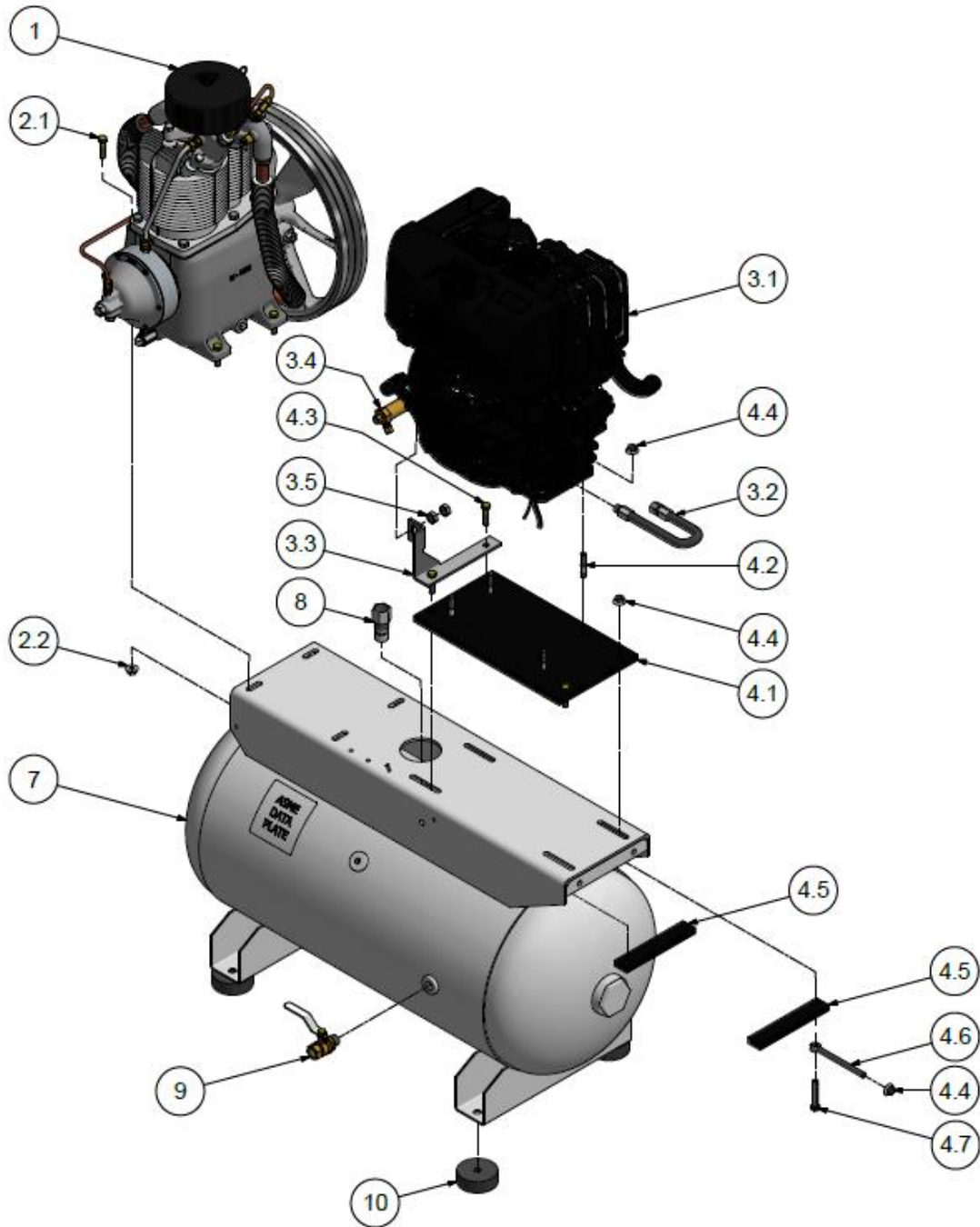


422CAS810-01
Ref Drawing

Horizontal Package, Kohler Gas Engine

| Item | Part Number | Description | Qty |
|---|----------------|--|-------------------|
| COMPRESSOR | | | R2-30A |
| 1 | R2-30A-EP01 | R15 COMPRESSOR, ENGINE DRIVEN | 1 |
| COMPRESSOR MOUNTING | | | 401CAS4017 |
| 2.1 | M3460 | 3/8-16 SCREW | 4 |
| 2.2 | M3483 | 3/8-16 NUT | 4 |
| ENGINE | | | 301CAE4013 |
| 3.1 | VP1097028 | KOHLER ENGINE, 14 HP | 1 |
| 3.2 | VP1096045 | OIL DRAIN | 1 |
| 3.3 | TEN002530 | THROTTLE CONTROL, WITH BRACKET | 1 |
| 3.4 | 95B1Z | WASHER | 1 |
| - | U8 (not shown) | KEY | 1 |
| ENGINE MOUNTING | | | 406CAS4015 |
| 4.1 | 300CAE247 | MOTOR PLATE | 1 |
| 4.2 | VP1105236 | STUD | 4 |
| 4.3 | M3460 | 3/8-16 SCREW | 3 |
| 4.4 | M3483 | 3/8-16 NUT | 6 |
| 4.5 | 300CAE145 | MOTOR MOUNTING BRACKET | 2 |
| 4.6 | VP1096404 | EYE BOLT | 1 |
| 4.7 | 655ED09AZ | 3/8-16 UNC SCREW | 1 |
| 4.8 | 301CAE247 | PLATE, MOTOR, KOHLER SHIM | 1 |
| HORIZONTAL AIR RECEIVER / BASE MOUNT | | | |
| 7 | TEN005522-CH | RECEIVER, 30 GL HORIZONTAL, 200 PSI | 1 |
| 7 | CC1096721-CH | RECEIVER, 60 GL HORIZONTAL, 200 PSI | 1 |
| 7 | CC1096723-CH | RECEIVER, 80 GL HORIZONTAL, 200 PSI | 1 |
| 7 | 300CAE285 | BASE MOUNT PLATE, ENGINE DRIVE (NOT SHOWN) | 1 |
| CHECK VALVE | | | |
| 8 | P05822A | CHECK VALVE | 1 |
| BALL VALVE | | | |
| 9 | M3590 | BALL VALVE | 1 |
| VIBRATION ISOLATORS | | | |
| 10 | P14608A | ISOLATOR, VIBRATION, 4" DIA. | 4 |

Horizontal Package, Kohler Diesel Engine

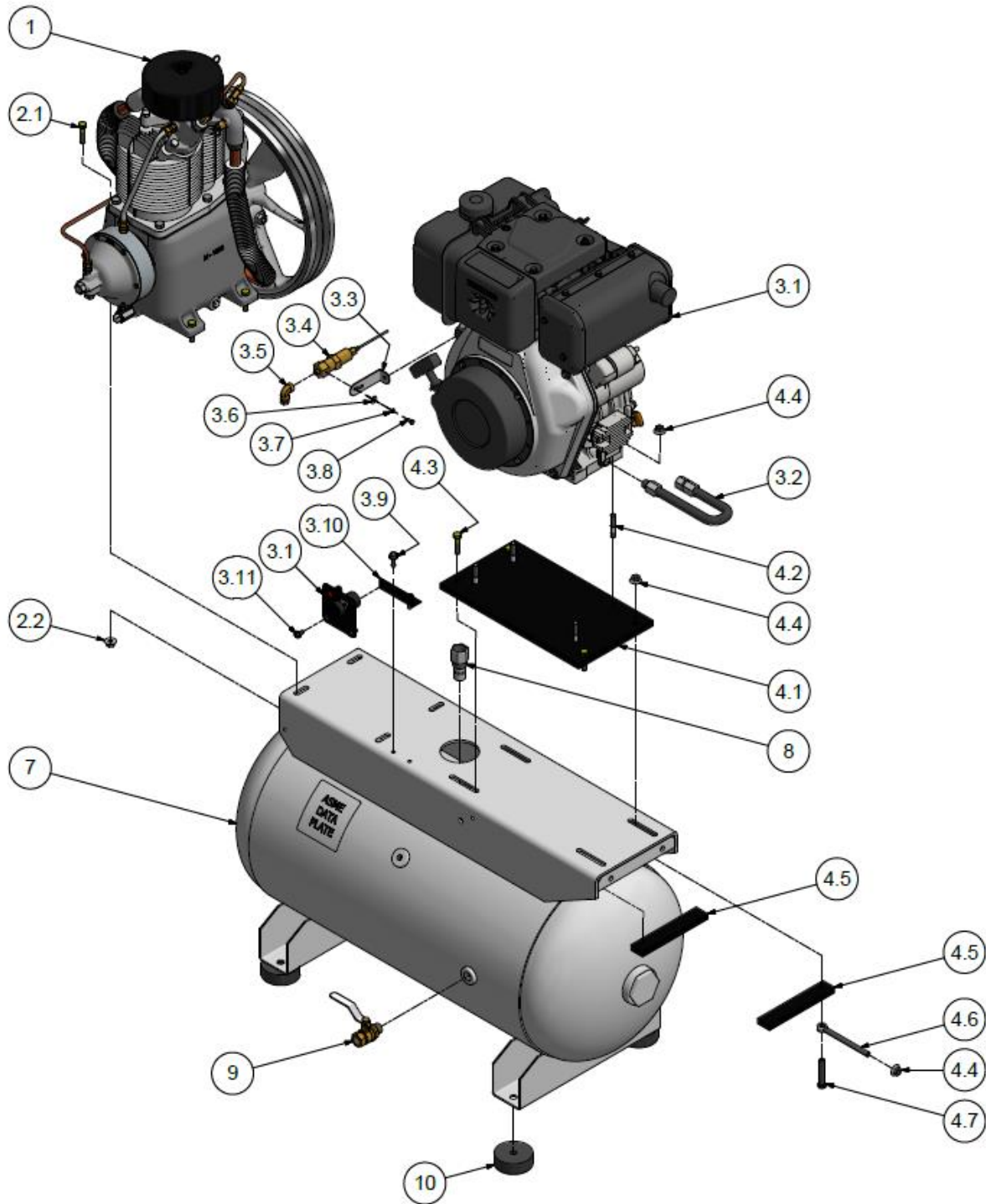


423CAS810-01
Ref Drawing

Horizontal Package, Kohler Diesel Engine

| Item | Part Number | Description | Qty |
|---|--------------|--|-------------------|
| COMPRESSOR | | | R2-30A |
| 1 | R2-30A-EP01 | R15 COMPRESSOR, ENGINE DRIVEN | 1 |
| COMPRESSOR MOUNTING | | | 401CAS4017 |
| 2.1 | M3460 | 3/8-16 SCREW | 4 |
| 2.2 | M3483 | 3/8-16 NUT | 4 |
| 9HP KOHLER DIESEL ENGINE | | | 319CAE4013 |
| 3.1 | VP1136277 | KOHLER ENGINE, 9.1 HP | 1 |
| 3.2 | VP1099934 | OIL DRAIN | 1 |
| 3.3 | CC1134655 | BRACKET, THROTTLE CONTROL | 1 |
| 3.4 | VP1135897 | THROTTLE CONTROL | 1 |
| 3.5 | 50W5 | JAM NUT | 2 |
| ENGINE MOUNTING | | | 406CAS4015 |
| 4.1 | 300CAE247 | MOTOR PLATE | 1 |
| 4.2 | VP1105236 | STUD | 4 |
| 4.3 | M3460 | 3/8-16 SCREW | 3 |
| 4.4 | M3483 | 3/8-16 NUT | 6 |
| 4.5 | 300CAE145 | MOTOR MOUNTING BRACKET | 2 |
| 4.6 | VP1096404 | EYE BOLT | 1 |
| 4.7 | 655ED09AZ | 3/8-16 UNC SCREW | 1 |
| HORIZONTAL AIR RECEIVER / BASE MOUNT | | | |
| 7 | TEN005523-CH | RECEIVER, 30 GL HORIZONTAL, 200 PSI | 1 |
| 7 | CC1111231-CH | RECEIVER, 80 GL HORIZONTAL, 200 PSI | 1 |
| 7 | 300CAE285 | BASE MOUNT PLATE, ENGINE DRIVE (NOT SHOWN) | 1 |
| CHECK VALVE | | | |
| 8 | P05822A | CHECK VALVE | 1 |
| BALL VALVE | | | |
| 9 | M3590 | BALL VALVE | 1 |
| VIBRATION ISOLATORS | | | |
| 10 | P14608A | ISOLATOR, VIBRATION, 4" DIA. | 4 |

Horizontal Package, Yanmar Diesel Engine

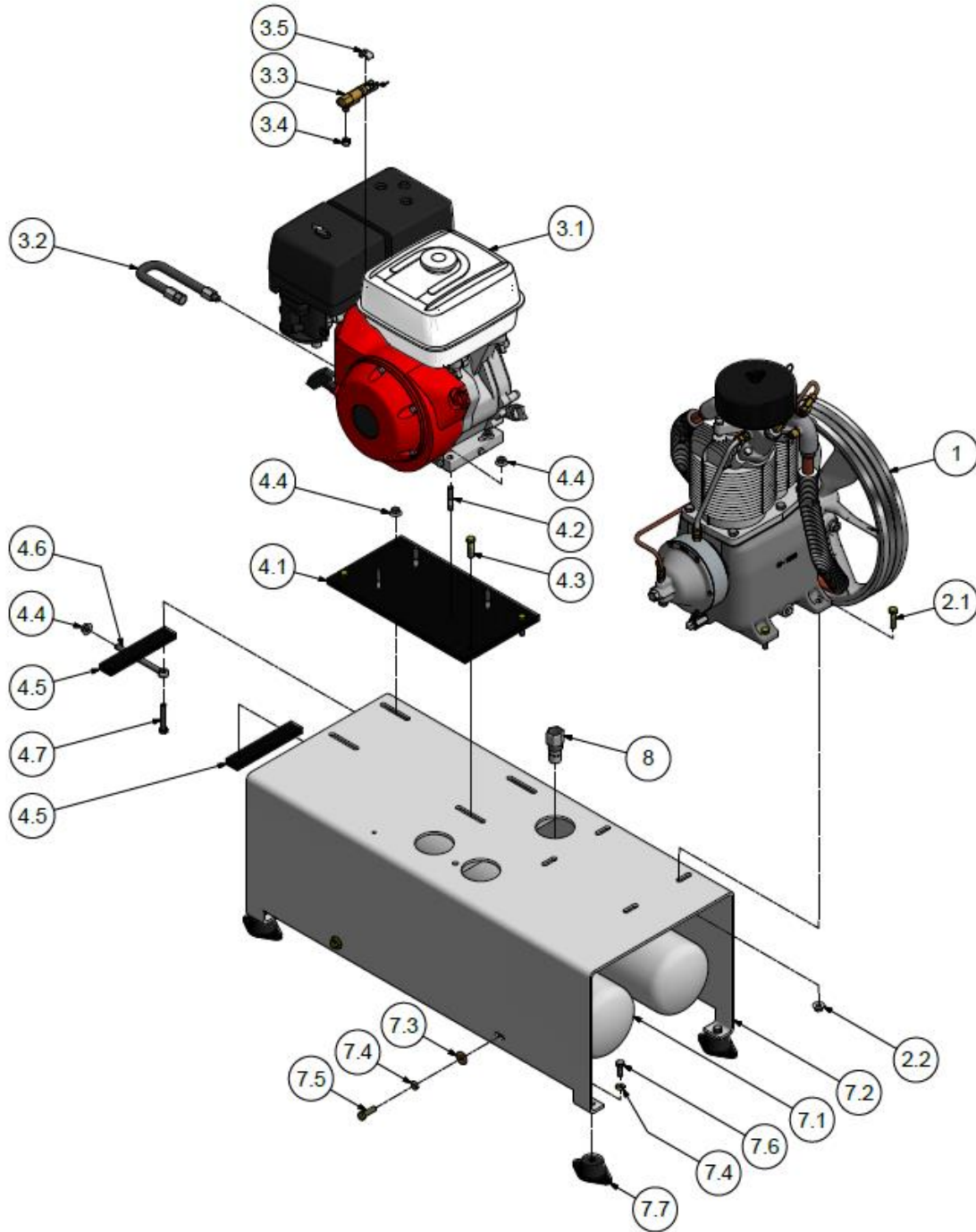


424CAS810-01
Ref Drawing

Horizontal Package, Yanmar Diesel Engine

| Item | Part Number | Description | Qty |
|---|--------------|--|-------------------|
| COMPRESSOR | | | R2-30A |
| 1 | R2-30A-EP01 | R15 COMPRESSOR, ENGINE DRIVEN | 1 |
| COMPRESSOR MOUNTING | | | 401CAS4017 |
| 2.1 | M3460 | 3/8-16 SCREW | 4 |
| 2.2 | M3483 | 3/8-16 NUT | 4 |
| ENGINE | | | 320CAE4013 |
| 3.1 | VP1103634 | YANMAR ENGINE, 10 HP | 1 |
| 3.2 | VP1101377 | OIL DRAIN | 1 |
| 3.3 | 303CAE017 | BRACKET, THROTTLE CONTROL | 1 |
| 3.4 | VP1097563 | THROTTLE CONTROL | 1 |
| 3.5 | 86E229 | TUBE FITTING, ELBOW | 1 |
| 3.6 | 121097Z | WASHER | 1 |
| 3.7 | 95B13Z | LOCKWASHER | 1 |
| 3.8 | VP1096937 | SCREW | 1 |
| 3.9 | M1454 | 5/16-18 SCREW | 2 |
| 3.10 | 304CAE017 | BRACKET, KEY START | 1 |
| 3.11 | 75LM47 | 1/4-20 UNC SCREW | 2 |
| ENGINE MOUNTING | | | 406CAS4015 |
| 4.1 | 300CAE247 | MOTOR PLATE | 1 |
| 4.2 | VP1105236 | STUD | 4 |
| 4.3 | M3460 | 3/8-16 SCREW | 3 |
| 4.4 | M3483 | 3/8-16 NUT | 6 |
| 4.5 | 300CAE145 | MOTOR MOUNTING BRACKET | 2 |
| 4.6 | VP1096404 | EYE BOLT | 1 |
| 4.7 | 655ED09AZ | 3/8-16 UNC SCREW | 1 |
| HORIZONTAL AIR RECEIVER / BASE MOUNT | | | |
| 7 | TEN005523-CH | RECEIVER, 30 GL HORIZONTAL, 200 PSI | 1 |
| 7 | CC1111231-CH | RECEIVER, 80 GL HORIZONTAL, 200 PSI | 1 |
| 7 | 300CAE285 | BASE MOUNT PLATE, ENGINE DRIVE (NOT SHOWN) | 1 |
| CHECK VALVE | | | |
| 8 | P05822A | CHECK VALVE | 1 |
| BALL VALVE | | | |
| 9 | M3590 | BALL VALVE | 1 |
| VIBRATION ISOLATORS | | | |
| 10 | P14608A | ISOLATOR, VIBRATION, 4" DIA. | 4 |

Low Profile Package, Honda Gas Engine

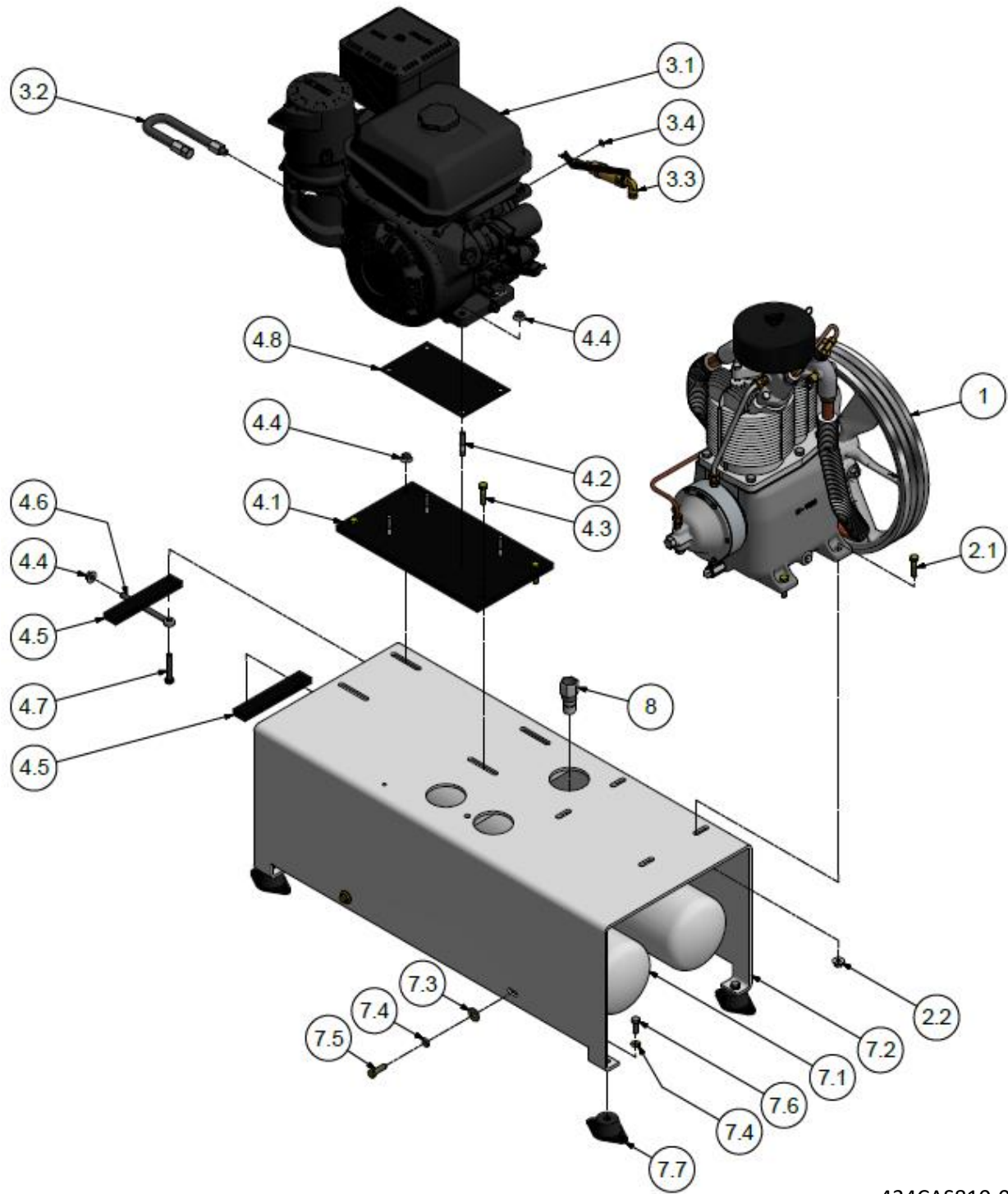


433CAS810-01
Ref Drawing

Low Profile Package, Honda Gas Engine

| Item | Part Number | Description | Qty |
|---------------------------------|--------------|--------------------------------------|-------------------|
| COMPRESSOR | | | R2-30A |
| 1 | R2-30A-EP01 | R15 COMPRESSOR, ENGINE DRIVEN | 1 |
| COMPRESSOR MOUNTING | | | 401CAS4017 |
| 2.1 | M3460 | 3/8-16 SCREW | 4 |
| 2.2 | M3483 | 3/8-16 NUT | 4 |
| ENGINE | | | 303CAE4013 |
| 3.1 | VP1097010 | HONDA ENGINE, 13 HP | 1 |
| 3.2 | VP1096045 | OIL DRAIN | 1 |
| 3.3 | VP1096614 | THROTTLE CONTROL | 1 |
| 3.4 | M2959 | NUT & FERRULE | 1 |
| 3.5 | 306CAE017 | BRACKET, THROTTLE CONTROL | 1 |
| ENGINE MOUNTING | | | 406CAS4015 |
| 4.1 | 300CAE247 | MOTOR PLATE | 1 |
| 4.2 | VP1105236 | STUD | 4 |
| 4.3 | M3460 | 3/8-16 SCREW | 3 |
| 4.4 | M3483 | 3/8-16 NUT | 6 |
| 4.5 | 300CAE145 | MOTOR MOUNTING BRACKET | 2 |
| 4.6 | VP1096404 | EYE BOLT | 1 |
| 4.7 | 655ED09AZ | 3/8-16 UNC SCREW | 1 |
| GROUP, TANK, LOW PROFILE | | | 400CAE4036 |
| 7.1 | CC1097097-CH | RECEIVER, 8 GL LOW PROFILE, 200 PSIG | 1 |
| 7.2 | 301CAE285 | BASE, LOW PROFILE | 1 |
| 7.3 | M3055 | WASHER | 4 |
| 7.4 | M3052 | LOCK WASHER | 8 |
| 7.5 | M3460 | 3/8-16 SCREW | 4 |
| 7.6 | 655ED040Z | 3/8-16 UNC SCREW | 4 |
| 7.7 | P09808A | ISOLATOR, VIBRATION | 4 |
| CHECK VALVE | | | |
| 8 | P05822A | CHECK VALVE | 1 |

Low Profile Package, Kohler Gas Engine

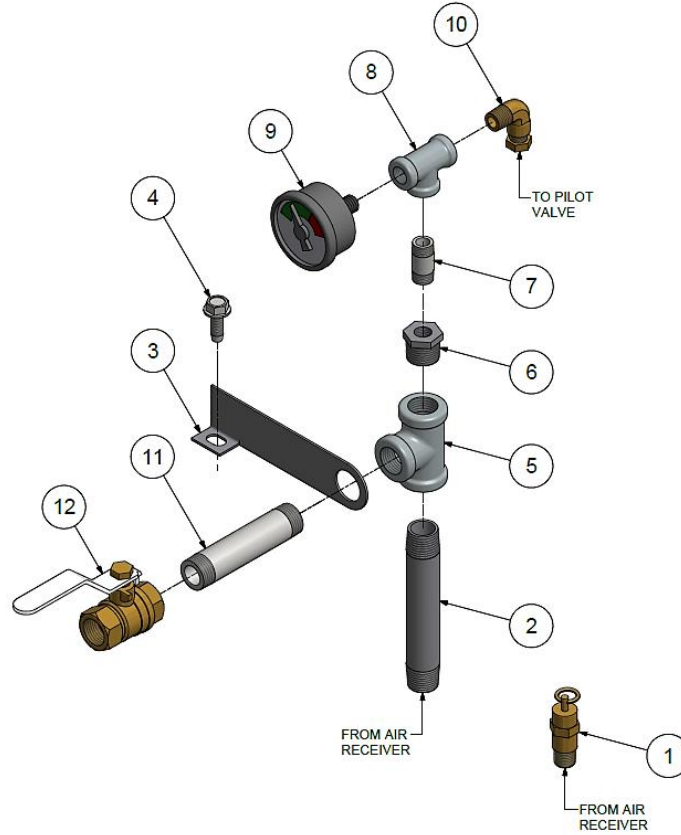


434CAS810-01
Ref Drawing

Low Profile Package, Kohler Gas Engine

| Item | Part Number | Description | Qty |
|---------------------------------|----------------|--------------------------------------|-------------------|
| COMPRESSOR | | | R2-30A |
| 1 | R2-30A-EP01 | R15 COMPRESSOR, ENGINE DRIVEN | 1 |
| COMPRESSOR MOUNTING | | | 401CAS4017 |
| 2.1 | M3460 | 3/8-16 SCREW | 4 |
| 2.2 | M3483 | 3/8-16 NUT | 4 |
| ENGINE | | | 301CAE4013 |
| 3.1 | VP1097028 | KOHLER ENGINE, 14 HP | 1 |
| 3.2 | VP1096045 | OIL DRAIN | 1 |
| 3.3 | TEN002530 | THROTTLE CONTROL, WITH BRACKET | 1 |
| 3.4 | 95B1Z | WASHER | 1 |
| - | U8 (not shown) | KEY | 1 |
| ENGINE MOUNTING | | | 406CAS4015 |
| 4.1 | 300CAE247 | MOTOR PLATE | 1 |
| 4.2 | VP1105236 | STUD | 4 |
| 4.3 | M3460 | 3/8-16 SCREW | 3 |
| 4.4 | M3483 | 3/8-16 NUT | 6 |
| 4.5 | 300CAE145 | MOTOR MOUNTING BRACKET | 2 |
| 4.6 | VP1096404 | EYE BOLT | 1 |
| 4.7 | 655ED09AZ | 3/8-16 UNC SCREW | 1 |
| 4.8 | 301CAE247 | PLATE, MOTOR, KOHLER SHIM | 1 |
| GROUP, TANK, LOW PROFILE | | | 400CAE4036 |
| 7.1 | CC1097097-CH | RECEIVER, 8 GL LOW PROFILE, 200 PSIG | 1 |
| 7.2 | 301CAE285 | BASE, LOW PROFILE | 1 |
| 7.3 | M3055 | WASHER | 4 |
| 7.4 | M3052 | LOCK WASHER | 8 |
| 7.5 | M3460 | 3/8-16 SCREW | 4 |
| 7.6 | 655ED040Z | 3/8-16 UNC SCREW | 4 |
| 7.7 | P09808A | ISOLATOR, VIBRATION | 4 |
| CHECK VALVE | | | |
| 8 | P05822A | CHECK VALVE | 1 |

Ball Valve Group, Low Profile Gas



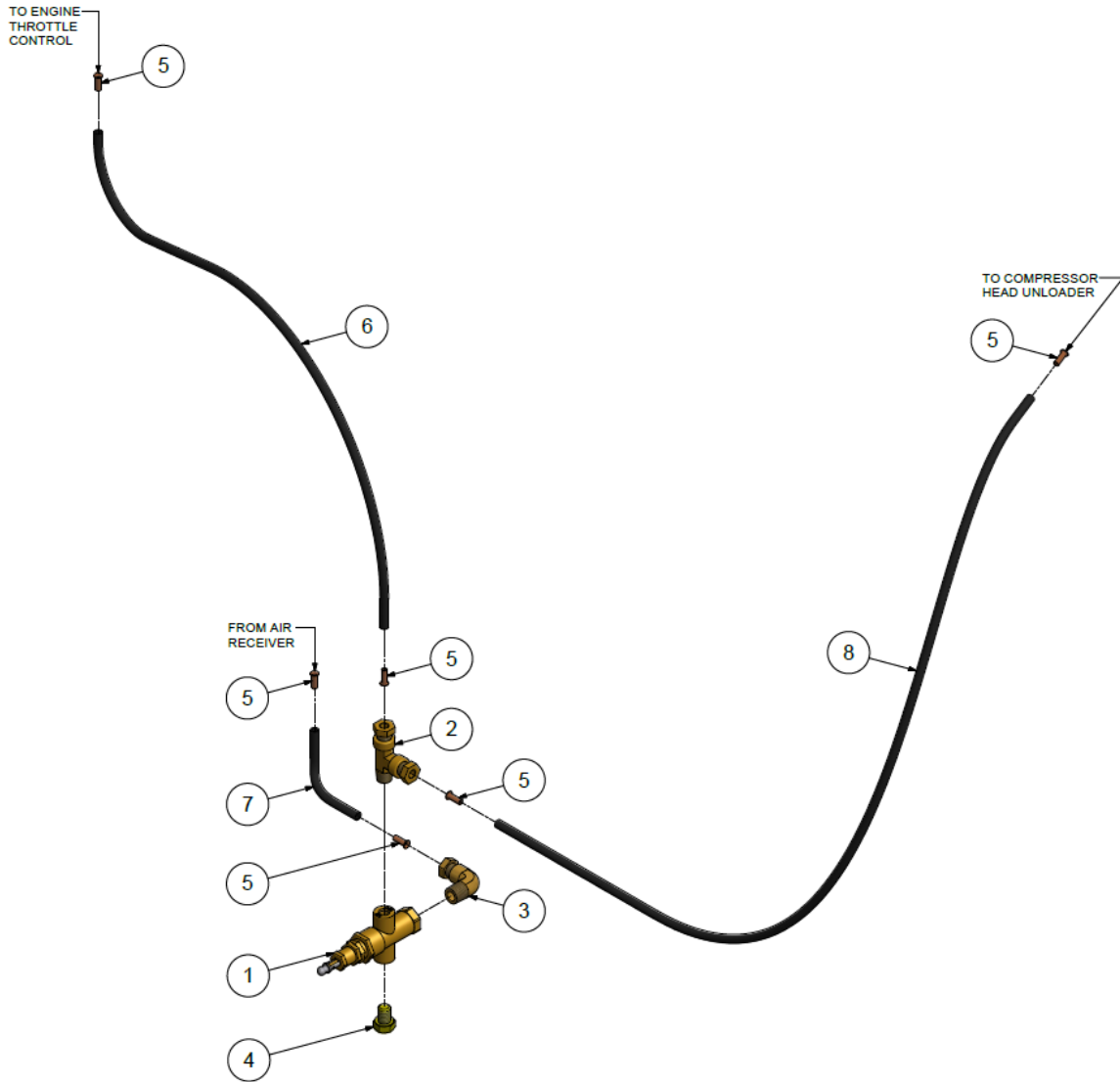
435CAS810-00
Ref Drawing

GROUP, TANK, LOW PROFILE, 1/2" BALL VALVE

408CAS4061

| Item | Part Number | Description | Qty |
|------|-------------|---------------------------------|-----|
| 1 | M2843 | PRESSURE RELIEF VALVE, 200 PSIG | 1 |
| 2 | 63F39 | PIPE NIPPLE | 1 |
| 3 | P08733A | BRACKET | 1 |
| 4 | M1454 | 5/16-18 SCREW | 1 |
| 5 | M934B | TEE | 1 |
| 6 | M1318 | BUSHING | 1 |
| 7 | P08798A | PIPE NIPPLE | 1 |
| 8 | M1003B | PIPE TEE | 1 |
| 9 | M519C | PRESSURE GAUGE | 1 |
| 10 | 86A40 | COMPRESSION FITTING, ELBOW | 1 |
| 11 | M1051B | PIPE NIPPLE | 1 |
| 12 | M2685 | BALL VALVE | 1 |

Control Group, Low Profile Gas



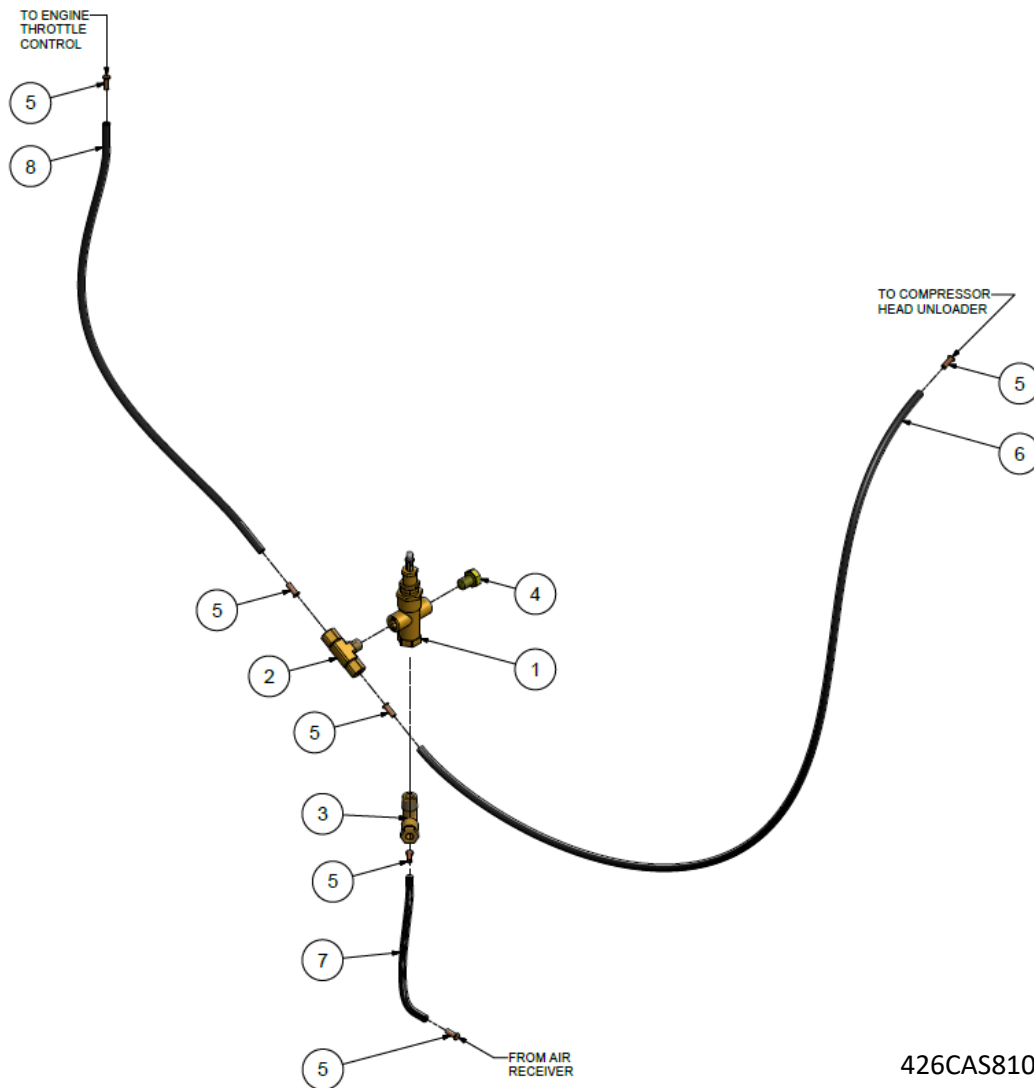
436CAS810-00
Ref Drawing

GROUP, CONTROL, 175 PSI (8 GL, GAS)

302CAE4052

| Item | Part Number | Description | Qty |
|------|-------------|-------------------------------------|---------|
| 1 | VP1089041 | PILOT VALVE, 175PSI, UNLOADER LEVER | 1 |
| 2 | 86E235 | TUBE FITTING, TEE | 1 |
| 3 | 86A40 | TUBE FITTING, ELBOW | 1 |
| 4 | M3465 | 3/8-16 SCREW | 1 |
| 5 | P10118A | TUBE INSERT | 6 |
| 6 | P08084A | PLASTIC TUBING | 2.63 FT |
| 7 | P08084A | PLASTIC TUBING | 0.34 FT |
| 8 | P08084A | PLASTIC TUBING | 1.57 FT |

Control Group, Horizontal Gas



426CAS810-01
Ref Drawing

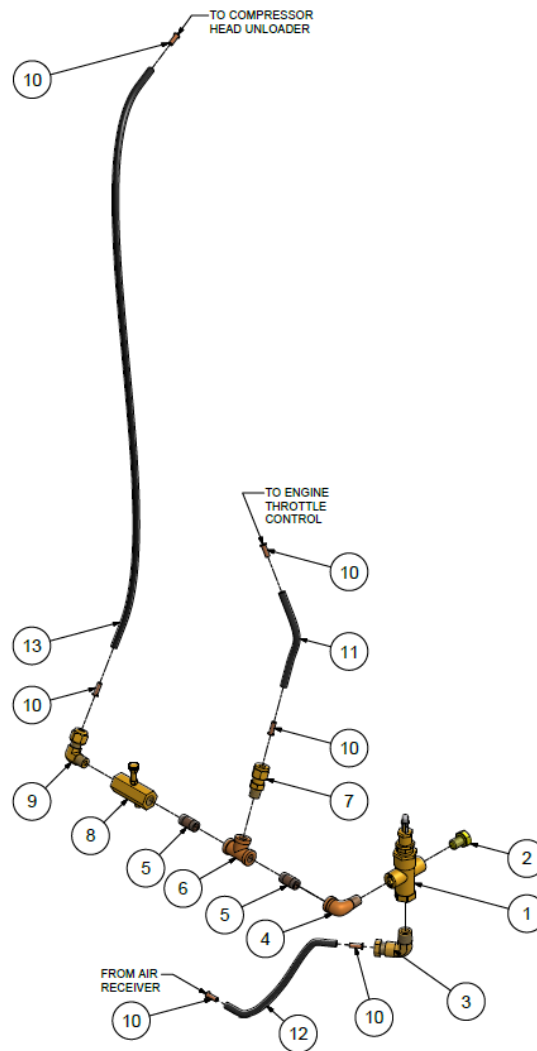
300CAE4052

305CAE4052

GROUP, CONTROL, 175 PSI (30 GL, 60 GL, 80 GL, BASE, GAS)

| Item | Part Number | Description | Qty |
|------|-------------|--------------------------------------|---------|
| 1 | VP1089041 | PILOT VALVE, 175 PSI, UNLOADER LEVER | 1 |
| 2 | M2879 | TUBE FITTING, TEE | 1 |
| 3 | 86A40 | TUBE FITTING, 90 DEG. ELBOW | 1 |
| 4 | M3465 | 3/8-16 SCREW | 1 |
| 5 | P10118A | TUBE INSERT | 6 |
| 6 | P08084A | PLASTIC TUBING | 3.4 FT |
| 7 | P08084A | PLASTIC TUBING | 0.65 FT |
| 8 | P08084A | PLASTIC TUBING | 1.7 FT |

Control Group, Horizontal Diesel



427CAS810-01
Ref Drawing

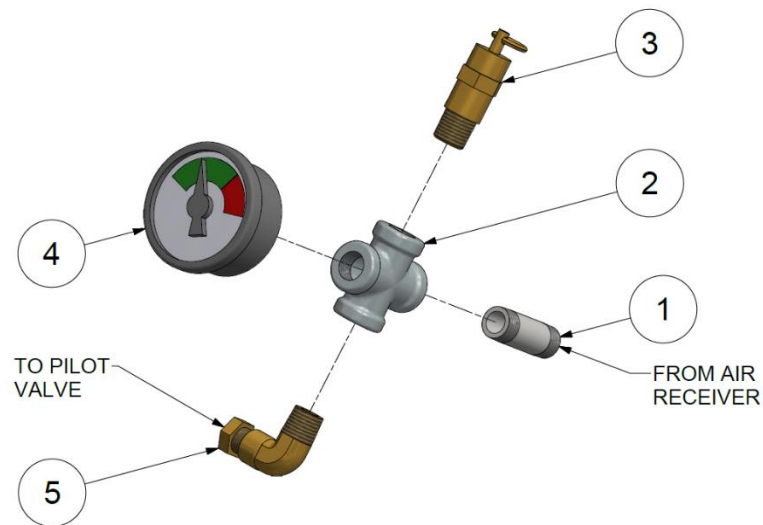
307CAE4052

309CAE4052

GROUP, CONTROL, 175 PSI (30 GL, 80 GL, BASE, DIESEL)

| Item | Part Number | Description | Qty |
|------|-------------|--------------------------------------|---------|
| 1 | VP1089041 | PILOT VALVE, 175 PSI, UNLOADER LEVER | 1 |
| 2 | M3465 | 3/8-16 SCREW | 1 |
| 3 | 86A40 | TUBE FITTING, 90 DEG. ELBOW | 1 |
| 4 | M3251 | PIPE ELBOW | 1 |
| 5 | M3174 | PIPE NIPPLE | 2 |
| 6 | M3474 | PIPE TEE | 1 |
| 7 | M2863 | TUBE FITTING, STRAIGHT | 1 |
| 8 | P09263A | LOAD DELAY VALVE | 1 |
| 9 | M2868 | TUBE FITTING, ELBOW | 1 |
| 10 | P10118A | TUBE INSERT | 6 |
| 11 | P08084A | PLASTIC TUBING | 0.39 FT |
| 12 | P08084A | PLASTIC TUBING | 0.75 FT |
| 13 | P08084A | PLASTIC TUBING | 1.9 FT |

Gauge / Relief Valve, Horizontal



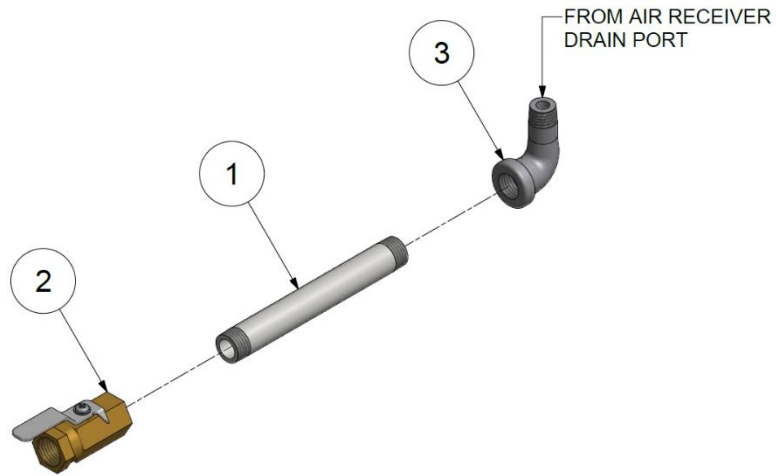
425CAS810-01
Ref Drawing

PRESSURE GAUGE / RELIEF VALVE (30 GL, 60 GL, 80 GL)

Z3819

| Item | Part Number | Description | Qty |
|------|-------------|---------------------------------|-----|
| 1 | M1016B | PIPE NIPPLE | 1 |
| 2 | 64K1 | PIPE CROSS | 1 |
| 3 | M2843 | PRESSURE RELIEF VALVE, 200 PSIG | 1 |
| 4 | M519C | PRESSURE GAUGE | 1 |
| 5 | 86A40 | TUBE FITTING, ELBOW | 1 |

Tank Drain, Manual



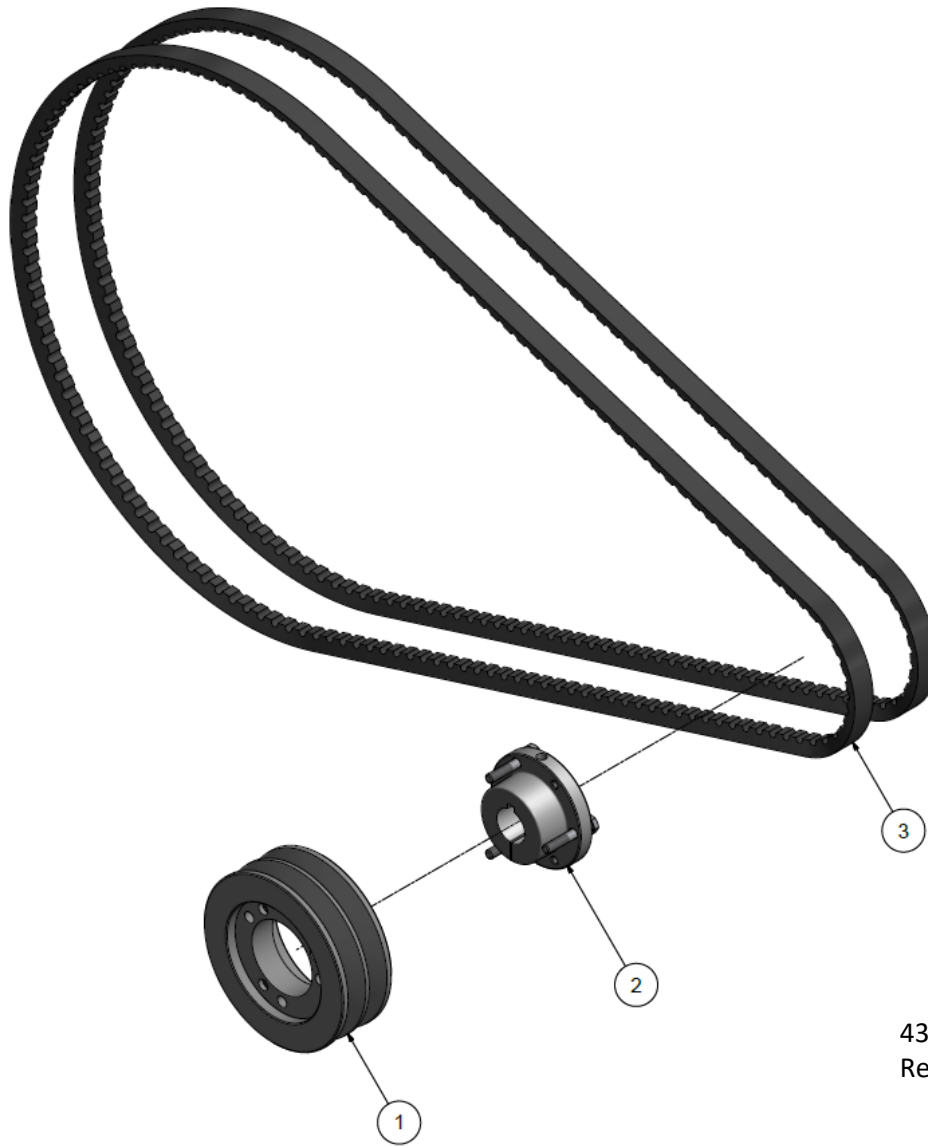
401CAS810-01
Ref Drawing

MANUAL TANK DRAIN, ENGINE

404CAS4027

| Item | Part Number | Description | Qty |
|------|-------------|-------------|-----|
| 1 | M1016B | PIPE NIPPLE | 1 |
| 2 | VP1022988 | BALL VALVE | 1 |
| 3 | M980B | PIPE ELBOW | 1 |

Power Transmission



432CAS810-00
Ref Drawing

TRANSMISSION GROUP, GAS

305CAE4013

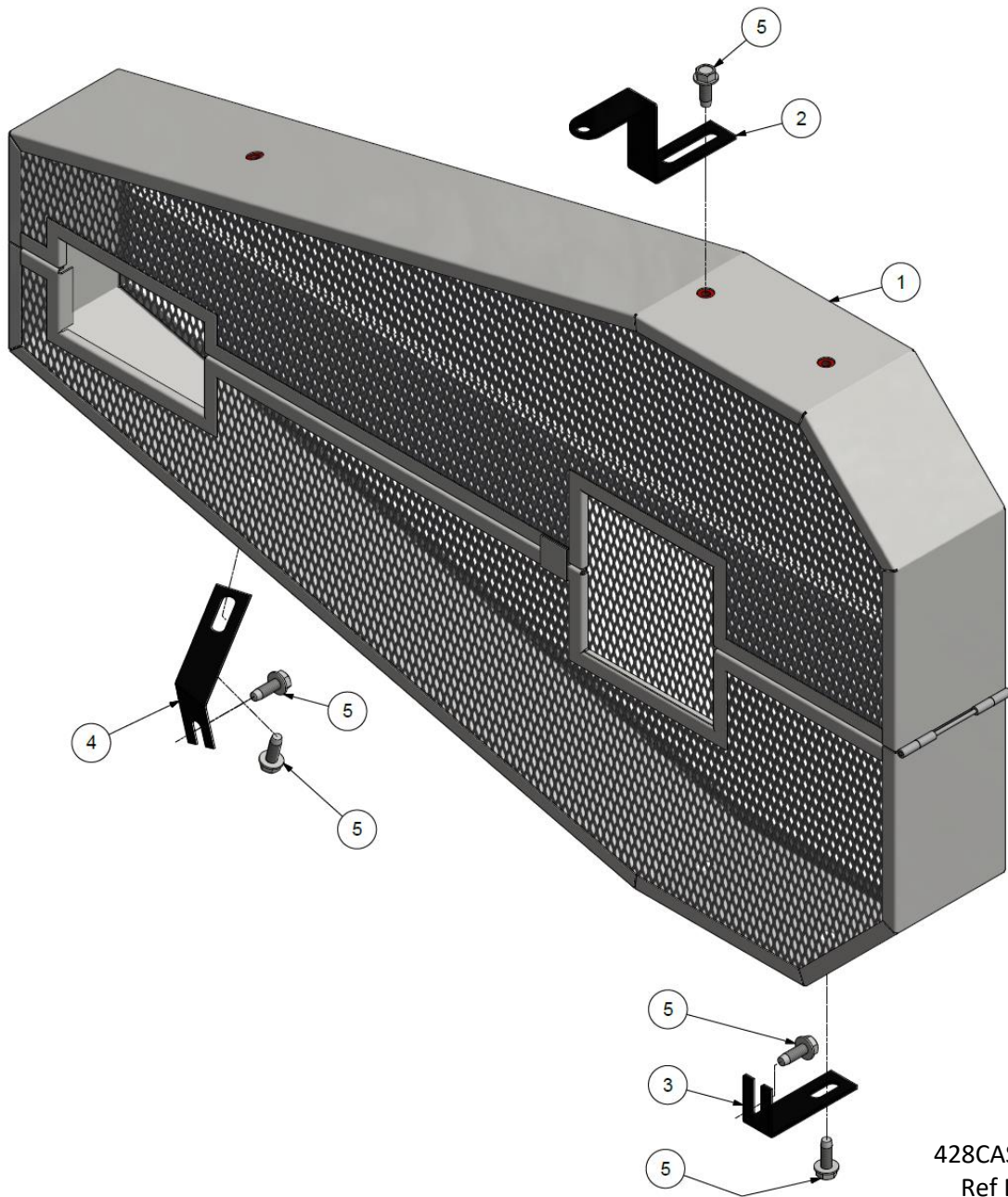
| Item | Part Number | Description | Qty |
|------|-------------|-------------------------------|-----|
| 1 | VP1045266 | PULLEY, 4.95OD, SDS, 2GR, A/B | 1 |
| 2 | 22F16SDS | BUSHING, PULLEY, SDS, 1" BORE | 1 |
| 3 | 13E544 | V-BELT, BX71 | 2 |

TRANSMISSION GROUP, DIESEL

309CAE4013

| Item | Part Number | Description | Qty |
|------|-------------|-----------------------------|-----|
| 1 | P14046A | PULLEY, 4.35OD, 2GR, A/B | 1 |
| 2 | P09799A | BUSHING, PULLEY, SH, 1"BORE | 1 |
| 3 | 13E544 | V-BELT, BX71 | 2 |

Belt Guard, Gas Engine



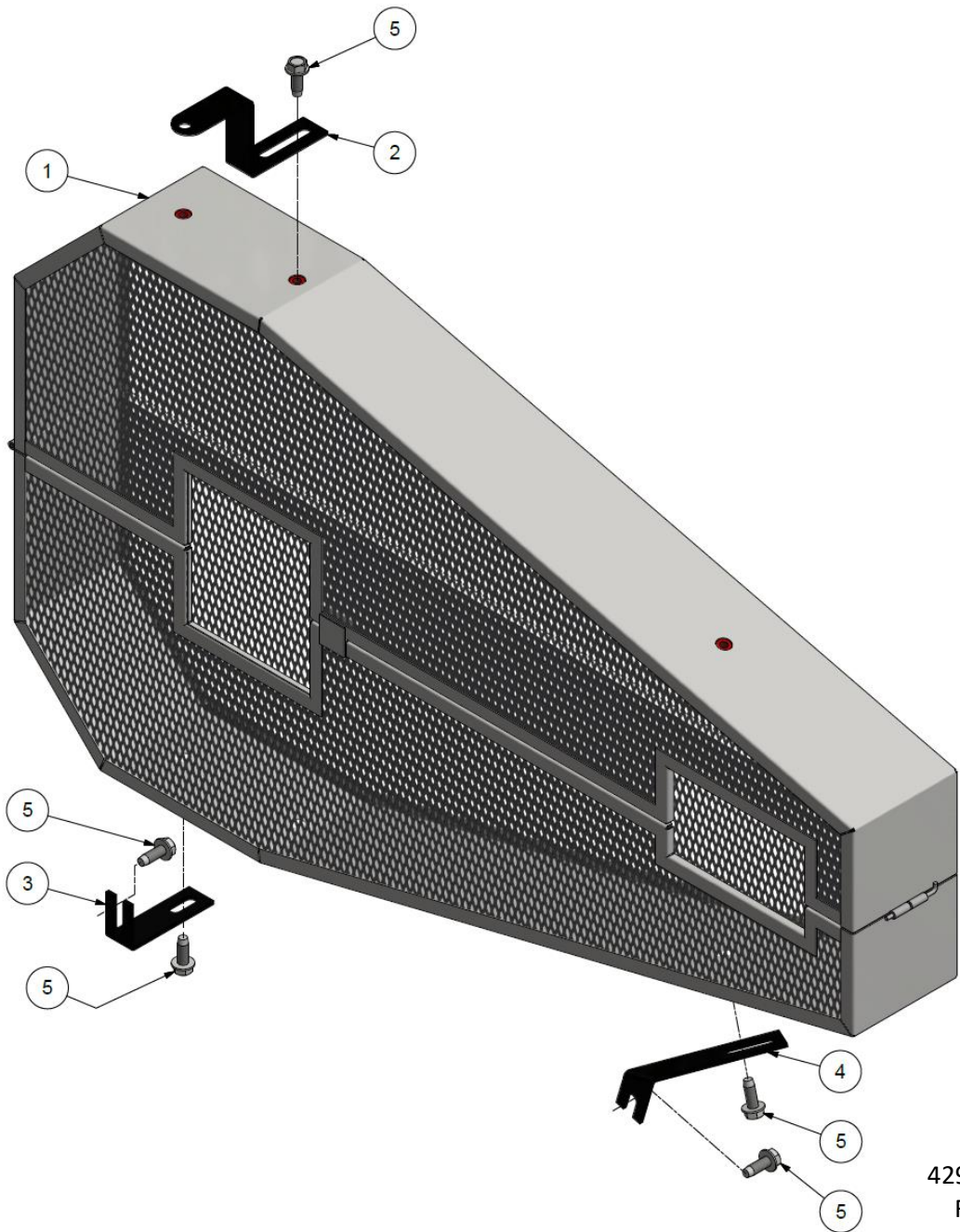
428CAS810-01
Ref Drawing

BELT GUARD GROUP, GAS

300CAE4029

| Item | Part Number | Description | Qty |
|------|-------------|--------------------------|-----|
| 1 | 304CAE120 | BELT GUARD, ENGINE DRIVE | 1 |
| 2 | M855 | BRACKET | 1 |
| 3 | M856 | BRACKET | 1 |
| 4 | P05517A | BRACKET | 1 |
| 5 | M1454 | 5/16-18 SCREW | 5 |

Belt Guard, Diesel Engine



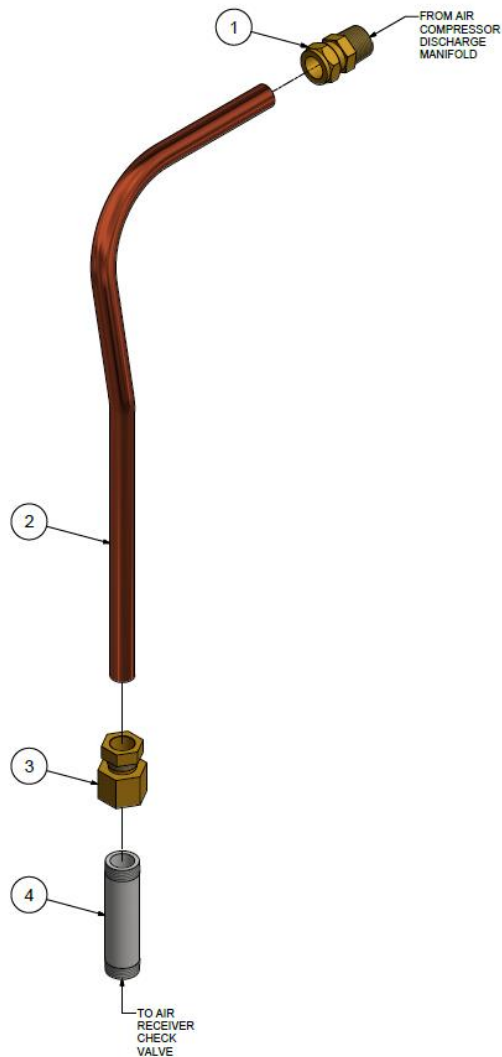
429CAS810-01
Ref Drawing

BELT GUARD GROUP, DIESEL

301CAE4029

| Item | Part Number | Description | Qty |
|------|-------------|--------------------------|-----|
| 1 | 304CAE120 | BELT GUARD, ENGINE DRIVE | 1 |
| 2 | M855 | BRACKET | 1 |
| 3 | M856 | BRACKET | 1 |
| 4 | CC1023978 | BRACKET | 1 |
| 5 | M1454 | 5/16-18 SCREW | 5 |

Discharge Piping, Gas Engine



430CAS810-00
Ref Drawing

DISCHARGE PIPING, 8 GL, GAS

400CAE4022

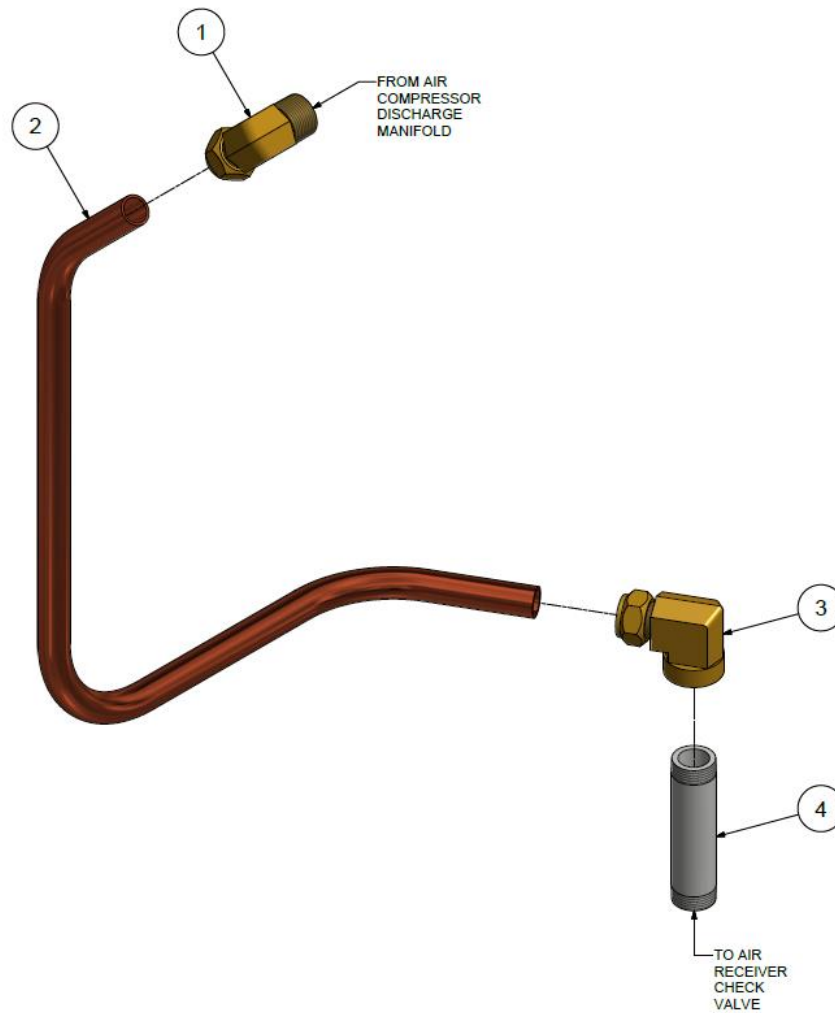
| Item | Part Number | Description | Qty |
|------|-------------|------------------------|-----|
| 1 | M2867 | TUBE FITTING, STRAIGHT | 1 |
| 2 | 301CAE857 | DISCHARGE TUBE | 1 |
| 3 | 86E279 | TUBE FITTING, STRAIGHT | 1 |
| 4 | M478 | PIPE NIPPLE | 1 |

DISCHARGE PIPING, 30 GL, 60 GL, 80 GL, GAS

429CAS4022

| Item | Part Number | Description | Qty |
|------|-------------|------------------------|-----|
| 1 | M2867 | TUBE FITTING, STRAIGHT | 1 |
| 2 | TENO10833 | DISCHARGE TUBE | 1 |
| 3 | 86E279 | TUBE FITTING, STRAIGHT | 1 |
| 4 | M478 | PIPE NIPPLE | 1 |

Discharge Piping, Diesel Engine



431CAS810-00
Ref Drawing

DISCHARGE PIPING, 30 GL, DIESEL

430CAS4022

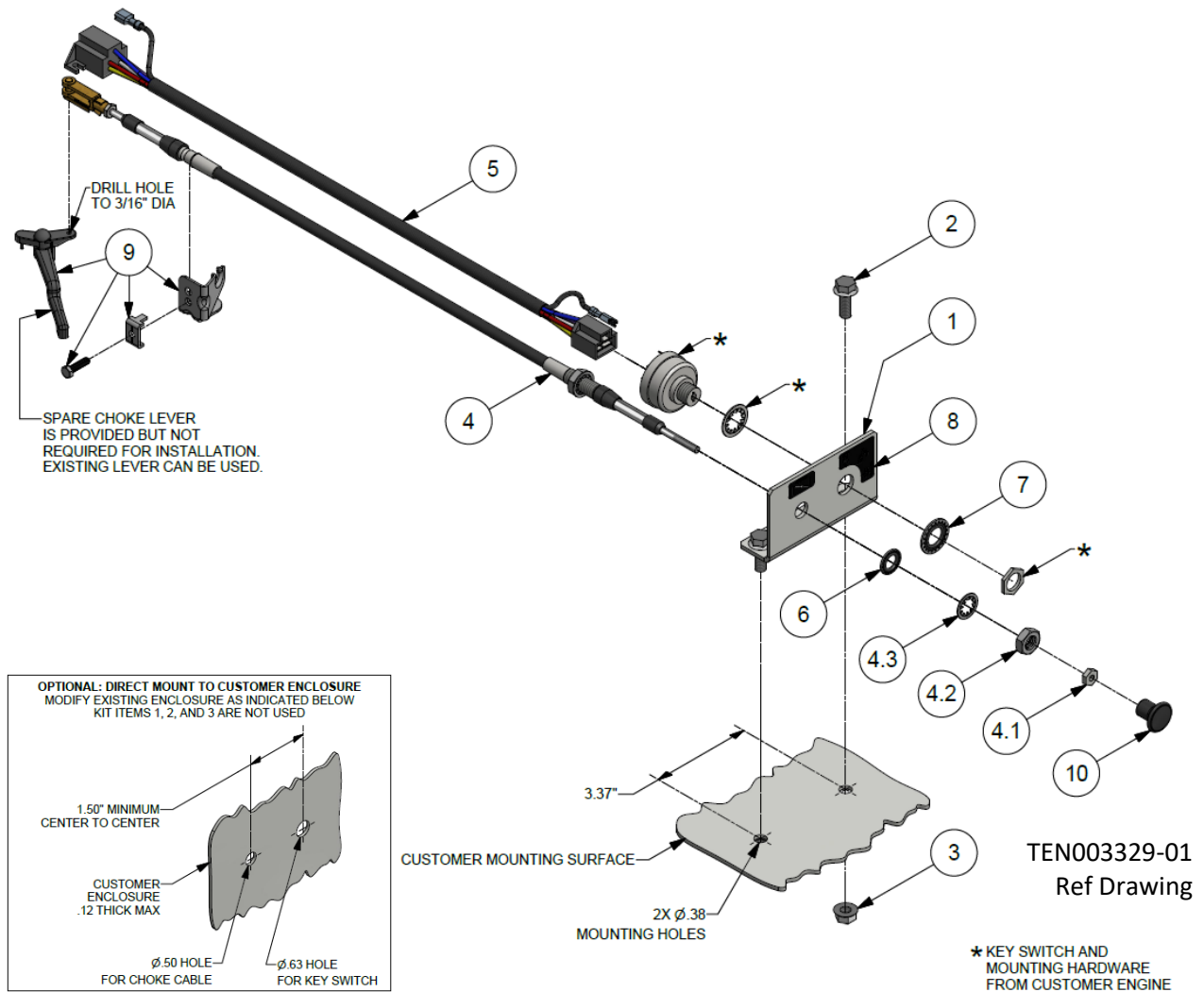
| Item | Part Number | Description | Qty |
|------|-------------|---------------------|-----|
| 1 | M2350 | TUBE FITTING, ELBOW | 1 |
| 2 | TEN010834 | DISCHARGE TUBE | 1 |
| 3 | M2398 | TUBE FITTING, ELBOW | 1 |
| 4 | M478 | PIPE NIPPLE | 1 |

DISCHARGE PIPING, 80 GL, DIESEL (NOT SHOWN)

401CAE4022

| Item | Part Number | Description | Qty |
|------|-------------|------------------------|-----|
| 1 | M2867 | TUBE FITTING, STRAIGHT | 2 |
| 2 | 302CAE857 | DISCHARGE TUBE | 1 |

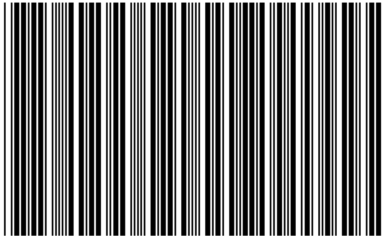
Remote Mount Choke and Key Switch, Kohler 14 HP (Optional)



KIT, REMOTE MOUNT, CHOKE AND KEY SWITCH

TEN003329

| Part Number | Description | Quantity |
|-------------|---------------------------------------|----------|
| 1 | TEN003131 MOUNTING BRACKET | 1 |
| 2 | 75LM327 SCREW | 2 |
| 3 | 50AW4 NUT | 2 |
| 4 | TEN003086 ENGINE CHOKE CABLE | 1 |
| 5 | TEN003070 KEY SWITCH WIRING HARNESS | 1 |
| 6 | TST000122 SEAL WASHER | 1 |
| 7 | TST000124 SEAL WASHER | 1 |
| 8 | TEN004766 CHOKE / OFF-RUN-START DECAL | 1 |
| 9 | TEN003091 REMOTE CHOKE MOUNT KIT | 1 |
| 10 | TEN003077 PULL KNOB | 1 |



* C Q F 3 4 5 4 V E R 1 0 *

CHAMPION[®]

For additional information, contact your local representative or visit:
www.championpneumatic.com/contactus.aspx

©2021 Gardner Denver, Inc. Printed in U.S.A.



Please recycle after use.